



Airflow Electrical Humidistat 30 – 90% Instruction Manual



Installation and Operating Instructions

For safety it is absolutely necessary that the following instructions are thoroughly read and observed.

Receipt

Please check delivery immediately on receipt for accuracy and damage. If damaged, please notify carrier immediately. In case of delayed notification, any possible claim may be void.

Storage

The following steps are to be taken when storing: Protect by dry, air- and dustproof packing (plastic bags with drying agent and moisture indicators). The storage area must be waterproof, vibration-free, and free of temperature variations.

When transshipping check if the packing is adequate for method and manner of transportation. Damages due to improper transportation, storage or putting into operation are not liable for warranty.

Operation/ Use

Electromechanical humidity controller for controlling the humidity in the air in domestic and commercial rooms, etc. Switches the ventilator on/off according to the degree of air humidity. By corresponding wiring, it is possible to humidify and dehumidify. Desired value or humidity is adjustable through the pointer knob on the front.

Installation

The humidistat is to be mounted on walls, preferably in horizontal position. When choosing its location please make sure that the humidistat is mounted near the air humidifier, but it must not be exposed directly to the humidifying air stream or to draughts from doors, windows or near to the radiators.

Wiring According to the Wiring Diagram

When installing this product, the circuits should be protected by an all-pole isolation switch with a minimum separation of 3mm. Electrical work must only be carried out by a qualified, specially trained electrician.

The normal standards, safety regulations (e.g., DIN VDE 0100) as well as the regulations of the Electricity Board are to be strictly observed.

Direct connection from 1~ ventilators up to max. 3 A. 3~ ventilators can be controlled by means of contactor. Testing class II, protection class II.

Setting

Set adjustment knob/scale to the desired humidity value.

Technical Data

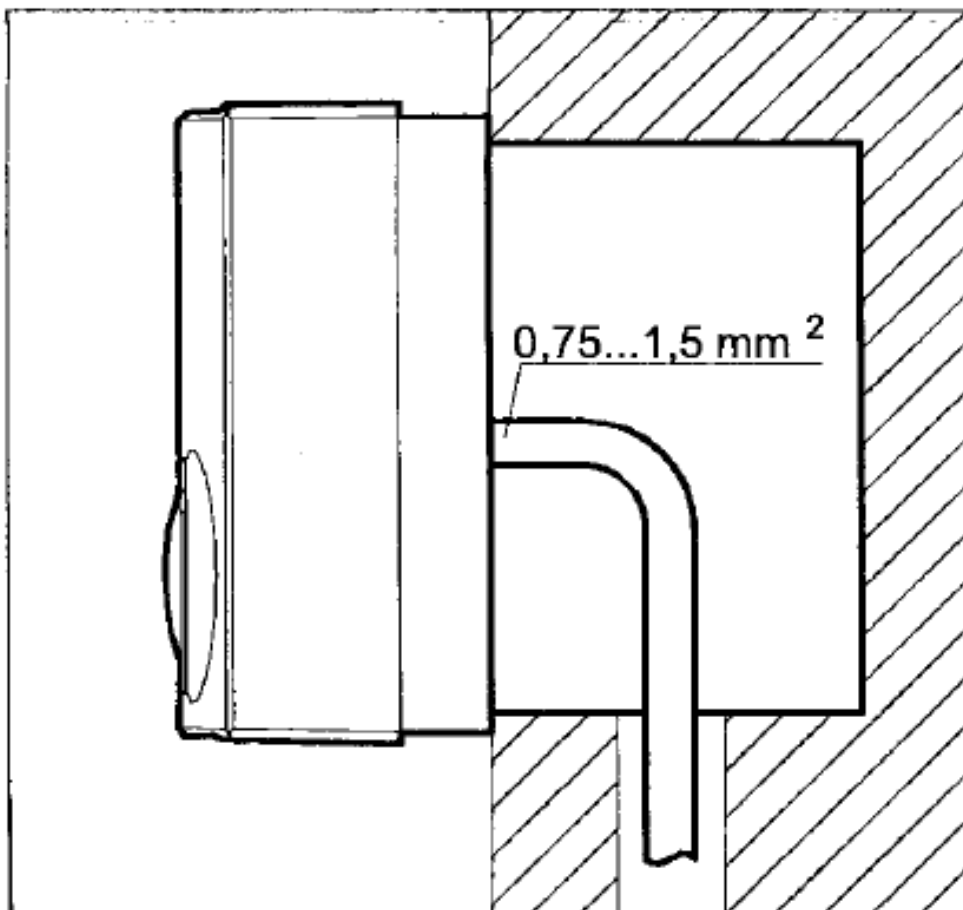
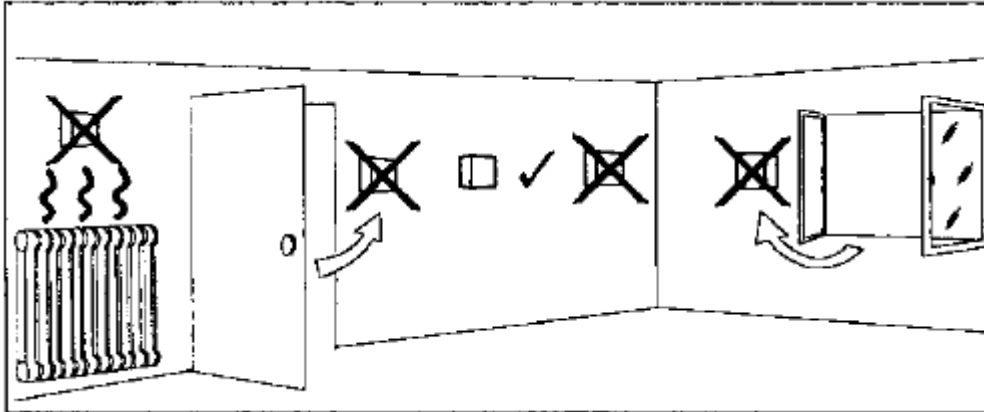
Max. load	3 A (ind.)
Max. voltage	250 V~, 50/60Hz
Ambient temp.	0 – 40°C
Setting range	30 – 90%
Setting accuracy	± 6 %
Time constant	(v = 0.2 m/s) ca. 5 min.
Protection type	protection type IP30

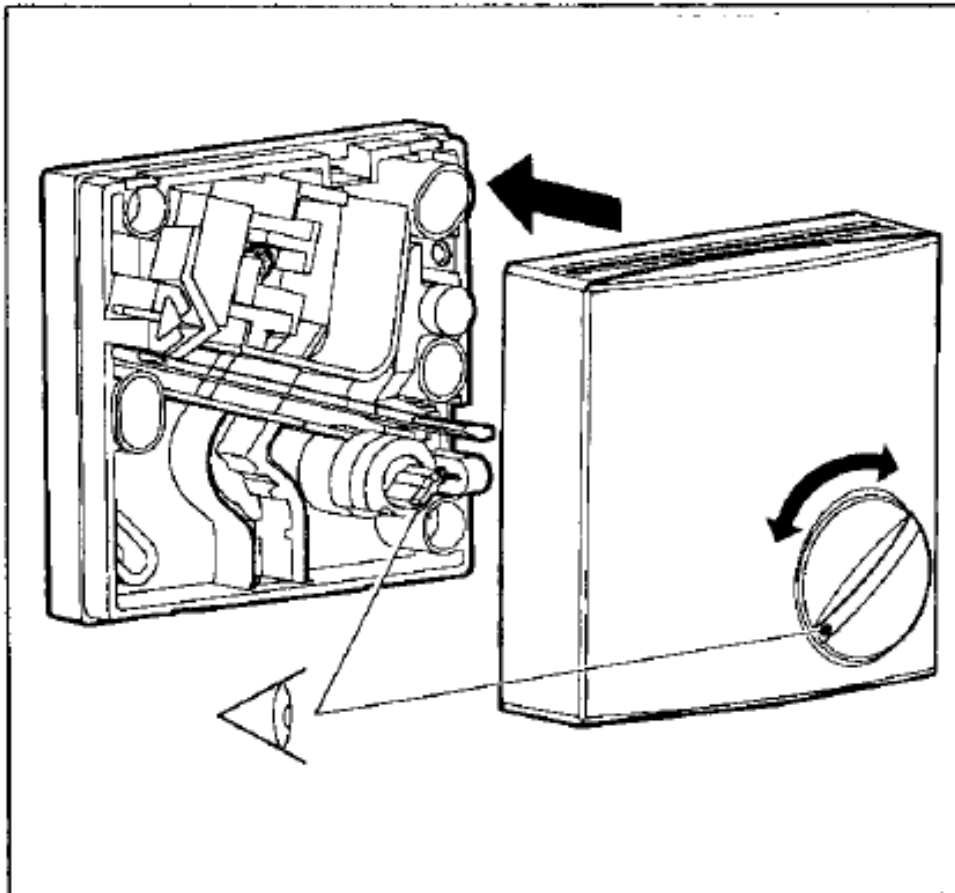
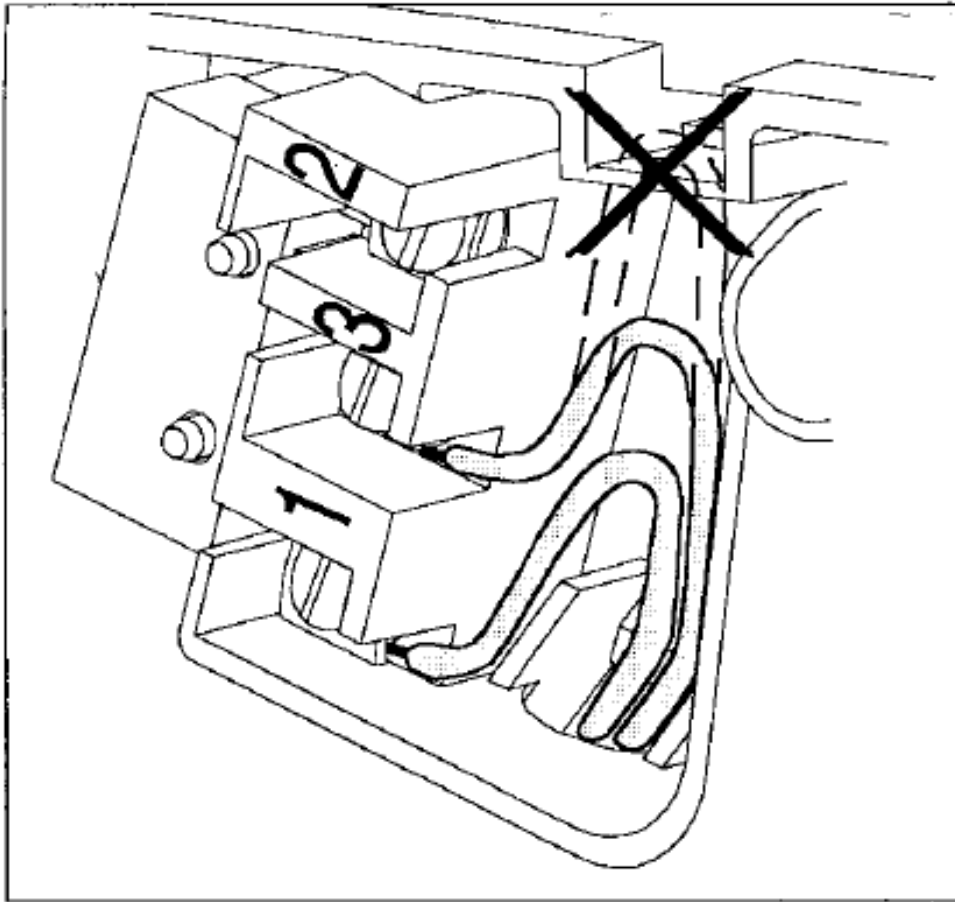
Accessories, Switches and Controlling Devices

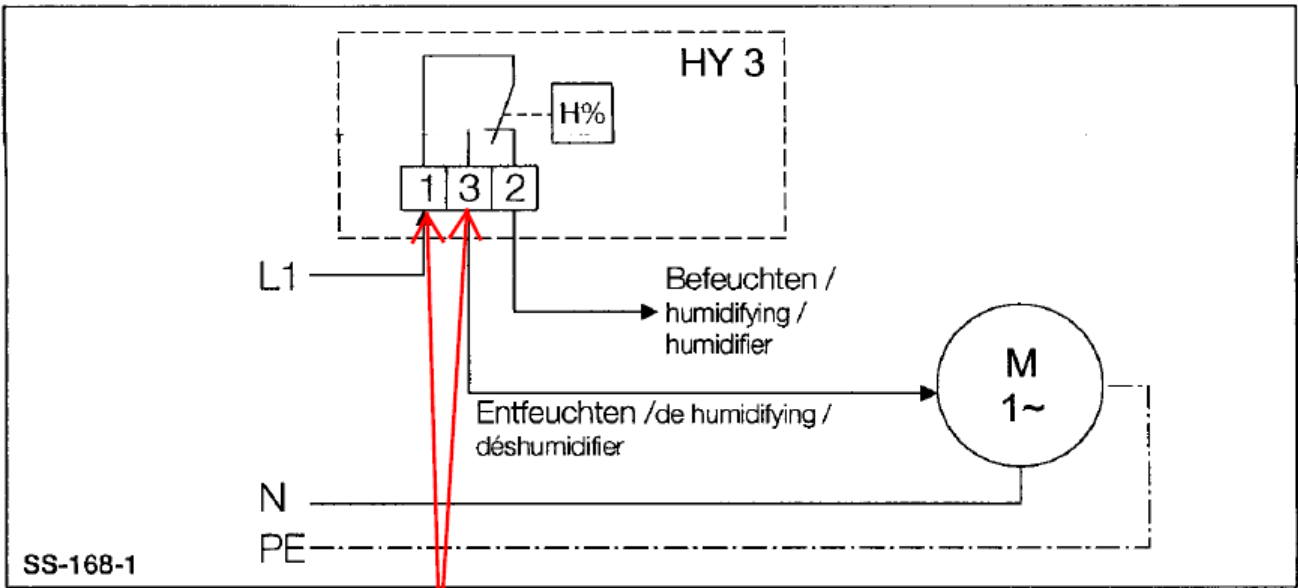
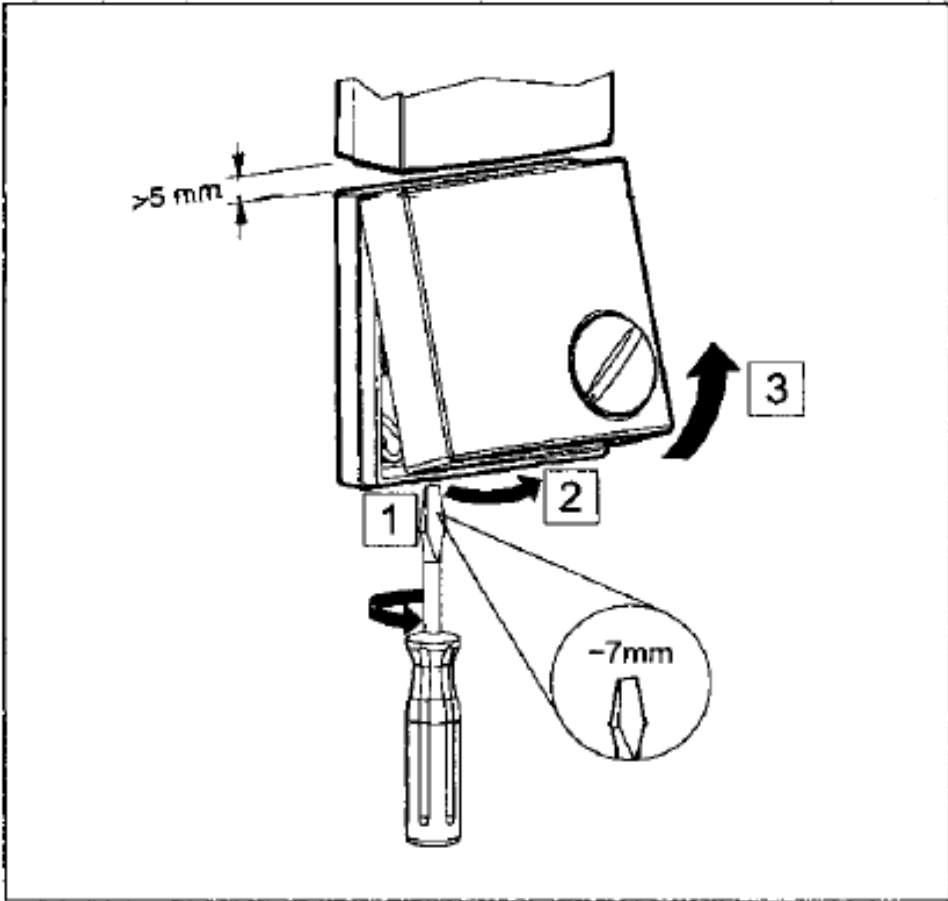
The use of accessories not offered or recommended by Airflow Developments Ltd is not permitted. The use of electronic accessories not offered or recommended by Airflow Developments Ltd could lead to damages and therefore void all guarantee claims.

Regulations

The product complies with all relevant international regulations if all instructions are followed.







SS-168-1

Connect to 1 & 3

Warranty

Airflow guarantees Electrical Humidistat 30 – 90% designated in these instructions for 1 year from date of purchase against faulty material or workmanship. Applicable to units installed and used in the UNITED KINGDOM.

Warranty covers the Electrical Humidistat only and not the reinstallation if required. In the event of any defective parts being found, Airflow Developments Ltd reserves the right to repair, or at our discretion replace without charge, provided the unit **has been installed in accordance with the fitting and wiring instructions supplied with each unit.**

Has not been connected to an unsuitable electrical supply.

Has not been subjected to misuse, neglect, or damage.

Has not been modified or repaired by any person not authorised by Airflow Developments Ltd.

Has been installed by a person who is recognised as a competent person.

Has only been used with Airflow Developments approved accessories.

Airflow Developments Ltd shall not be liable for any loss, injury, or other consequential damage, in the event of a failure of the equipment, arising from, or in connection with, the equipment excepting only that nothing in this condition shall be construed as to exclude or restrict liability for negligence. Full details at airflow.com/terms.

This warranty does not in any way affect any statutory or other consumer rights.



UK Head-Office

AIRFLOW DEVELOPMENTS LTD
Aidelle House, Lancaster Road
Cressex Business Park
High Wycombe
Buckinghamshire
HP12 3QP
United Kingdom

Tele: +44 (0) 1494 525252
Fax: +44 (0) 1494 461073
Email: info@airflow.com
Web: airflow.com

Germany

AIRFLOW LUFTECHNIK GMBH
Wolbersacker 16
53359 Rheinbach
Germany

Tele: +49 (0) 222 69205 0
Fax: +49 (0) 222 69205 11
Email: info@airflow.de
Web: airflow.de

Czech Republic

AIRFLOW LUFTECHNIK GMBH
o.s. Praha Hostýnská 520
108 00 Praha 10
Malešice
Czech Republic.

Tele: +42 (0) 2 7477 2230
Fax: +42 (0) 2 7477 2370
Email: info@airflow.de
Web: airflow.cz