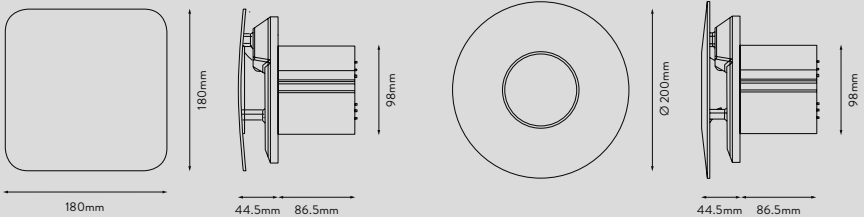


# Simply Silent™ Contour CV4

4"/100mm near-silent constant volume axial extract fans

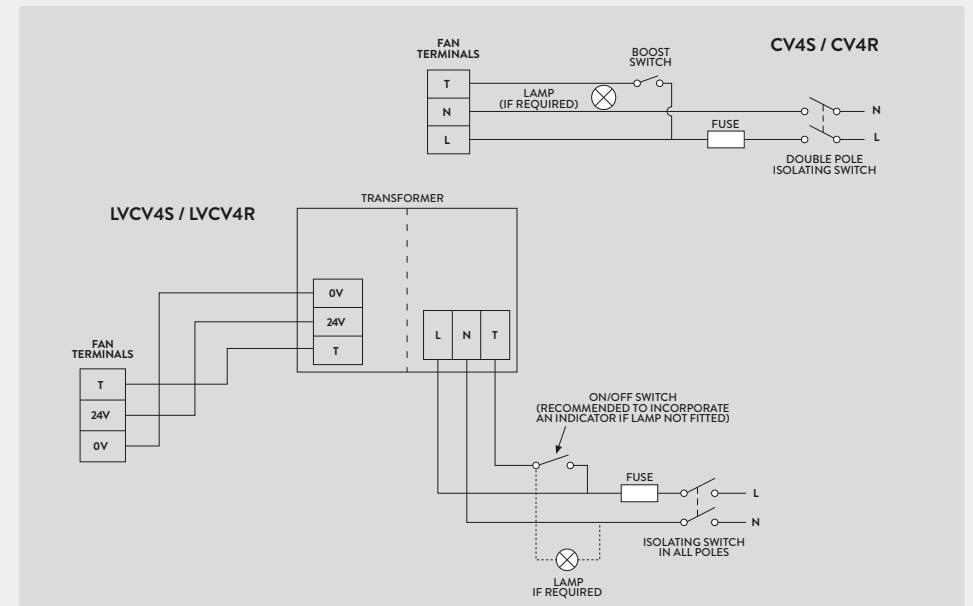
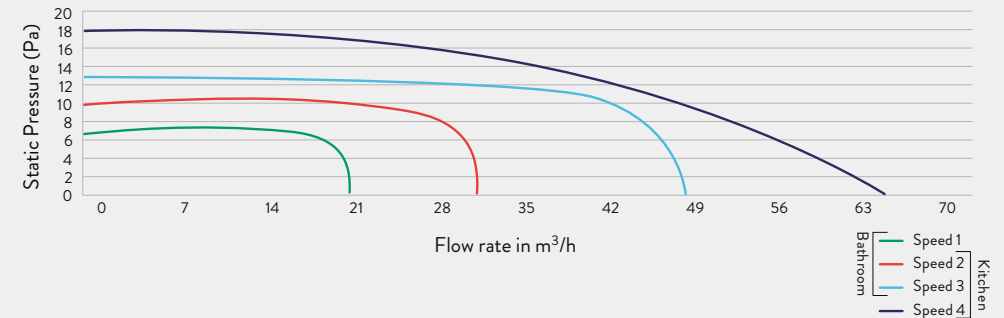


The Simply Silent™ Contour CV range has been designed to offer exceptionally low noise levels, while delivering a constant volume of extracted air to eliminate humidity, condensation and mould growth in bathrooms, shower rooms, cloakrooms, toilets and kitchens. These fans feature Xpelair's Intelligent Adaptiflow™ Sensing to deliver constant volume performance through a unique sensor housed within the duct. This sensor calculates and records the airflow of the fan and adapts the fan speed intuitively in accordance with changes in airflow to maintain the required setting. The Contour CV has selectable bathroom and kitchen airflow, with three speeds in each mode.



Product Features	CV4S	CV4R	LVCV4S	LVCV4R
Reference Number	92968AW	92969AW	92970AW	92971AW
Design	■	●	■	●
SELV Transformer			✓	✓
Datalogger	✓	✓	✓	✓
Intelligent Adaptiflow™ Sensing	✓	✓	✓	✓
Timer (adjustable 30s – 30mins)	✓	✓	✓	✓
Humidistat (50 – 90% RH)	✓	✓	✓	✓
DC Motor	✓	✓	✓	✓

Product Selector	CV4		LVCV4	
	Bathroom	Kitchen	Bathroom	Kitchen
Speeds	3	3	3	3
Extract Performance (l/s)	5/8/18	8/13/18	5/8/18	8/13/18
Extract Performance (m³/h)	18/29/65	29/47/65	18/29/65	29/47/65
Electrical Power Rating (W)	1.6/1.9/2.9	1.9/2.3/2.9	2.0/2.3/3.7	2.3/3.1/3.7
Specific Fan Power (SFP) (W/l/s)	0.32/0.24/0.16	0.24/0.18/0.16	0.40/0.29/0.21	0.29/0.24/0.21
IP Rating	IPX4	IPX4	IPX5	IPX5
Sound Pressure Level (dBA@3M)	Max 28	Max 28	Max 28	Max 28
Motor Type	DC	DC	DC	DC



## ANCILLARIES

We recommend the Simply Silent™ Wall Adaptor Kit which allows the Contour CV to be fitted into an existing 6"/150mm hole. See page 118 for further information.