

CMX-MULTI

Fits into ceiling voids and utility cupboard spaces – horizontally or vertically



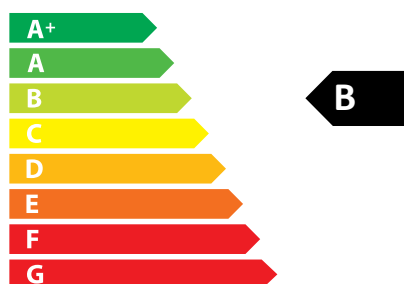
INSTALLATION

IS A WHOLE HOUSE SYSTEM

Ideally used in properties up to K+3

Building Regulations Compliant

ErP Directive Compliant



Installation

Flexible installation. Can be fitted horizontally or vertically:

- ▶ Inside a kitchen cupboard or utility room
- ▶ Direct to a ceiling or in a loft space
- ▶ Within a joist space

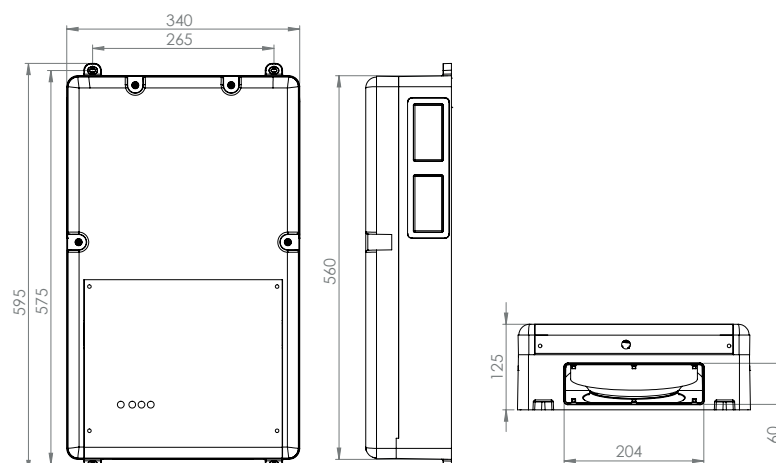


The CMX-MULTI is Domus Ventilation's newest MEV offering, reaffirming our position as a market leader in innovation.

Aimed at the Residential market its shape and size conform with New Build restrictions, whilst also making it ideal for retro-fit projects due to direct duct runs and wall or ceiling void fixings. Quiet running, whilst comfortably providing impressive airflow rates and with a choice of models with and without integral humidistat, the CMX-MULTI range provide the solution in Mechanical Extract Ventilation.

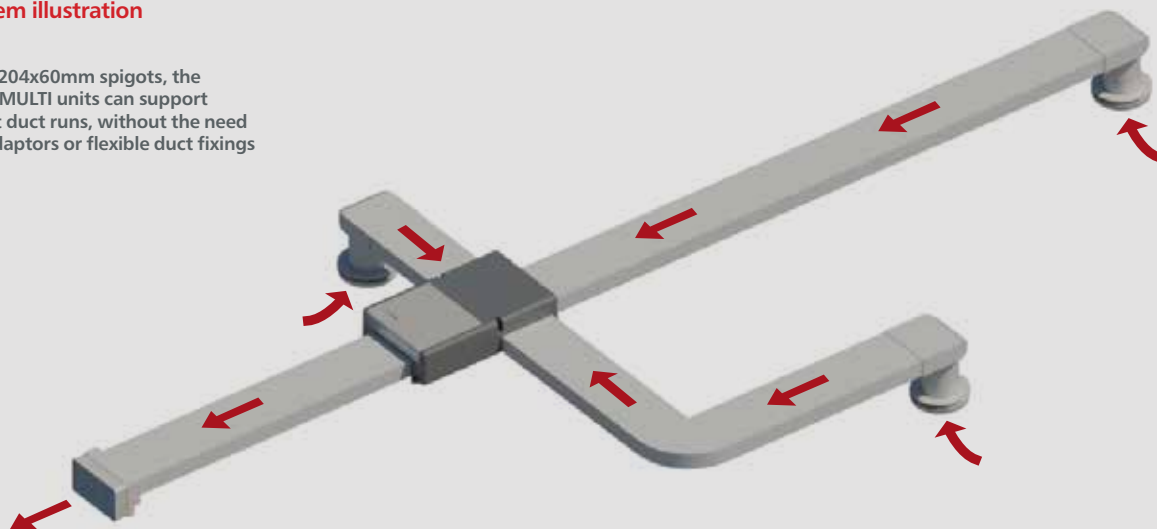
- Excellent SFP as low as 0.14 (W/l/s)
- CMX-MULTI-H has integral humidistat, ideal for specification works
- 3 inlet spigots for simplified multi-room extraction
- 204x60mm spigots allowing direct duct runs from the unit, saving time and money on site
- Exceptionally compact (125mm deep) and lightweight (3.1kg), ideal for small ceiling void depths

ONLY 125mm DEPTH

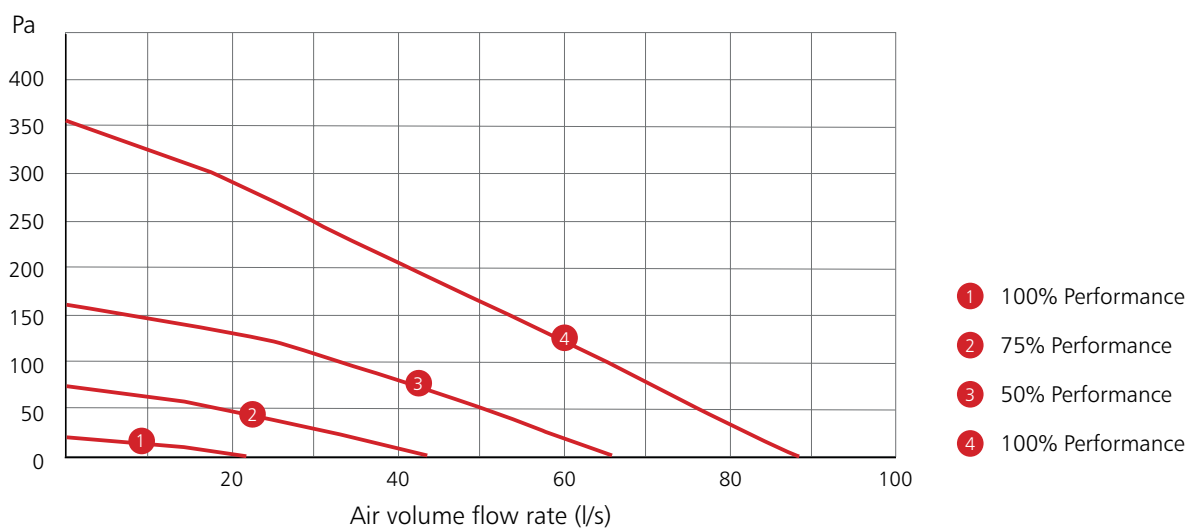


System illustration

With 204x60mm spigots, the CMX-MULTI units can support direct duct runs, without the need for adaptors or flexible duct fixings



Performance



Code	Description	Unit Depth
CMX-MULTI	CMX-MULTI Mechanical Extract Ventilation Unit	125mm
CMX-MULTI-H	CMX-MULTI Mechanical Extract Ventilation Unit with Integral Humidistat	125mm

CMX-S

Fits into ceiling voids and utility cupboard spaces – horizontally or vertically



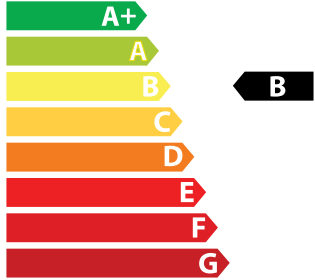
INSTALLATION

IS A WHOLE HOUSE SYSTEM

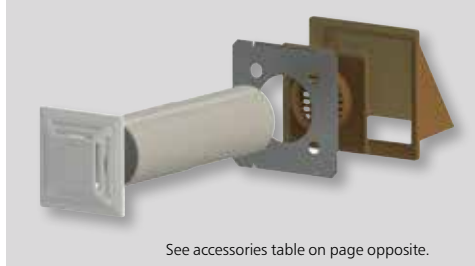
Supports kitchen and up to six wet rooms
Floor area 275m²

Building Regulations Compliant

ErP Directive Compliant



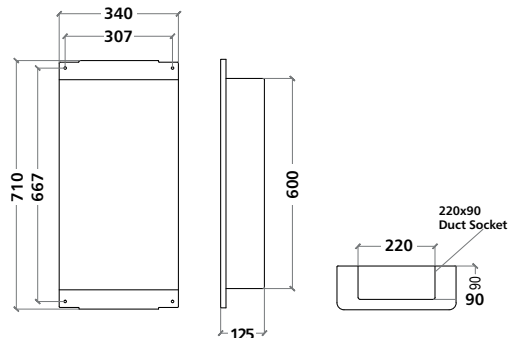
Domus CMX air supply kits provide effective background ventilation

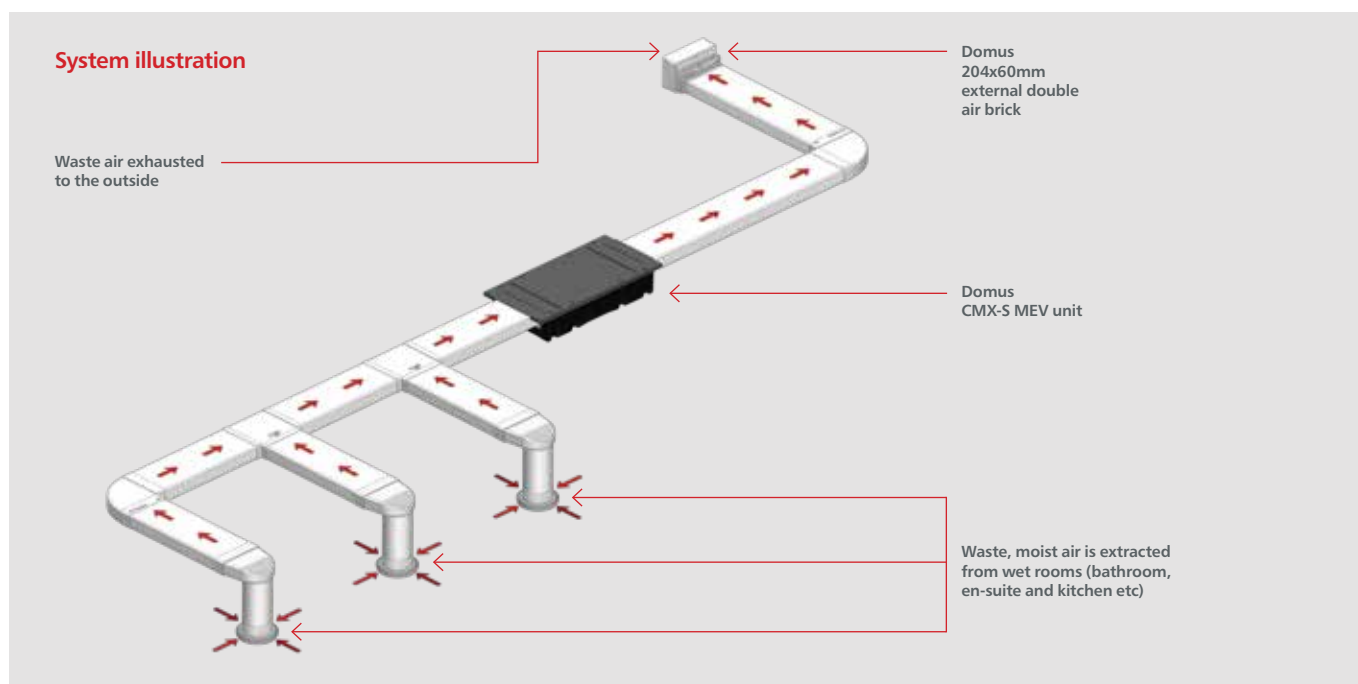


At just 125mm in depth, the CMX-S is one of the most versatile, easy to install and energy efficient MEV solutions available on the market.

- Low Specific Fan Power (SFP) down to 0.24 (W/l/s)
- Exceptionally compact (125mm deep) and lightweight (3.25kg), ideal for small ceiling void depths
- Very quiet in operation, down to 34dB(A)
- Distinct EPP casing reduces noise
- High air flow performance up to 120 l/s
- In-line ports enable straightforward duct connection
- Flexible home owner control (3 speed options)

Ideal for Light Commercial application due to its impressive 120l/s duty.





Code	Description	Unit Depth
CMX-S	Void or wall mounted MEV unit	125mm

Code	Accessories
CMX-ASK1W	Air Supply Kit with White Cowl
CMX-ASK1B	Air Supply Kit with Brown Cowl
ANC848A	Low/Boost Switch
ANC850A	Low/Boost/Purge Switch
ANC108A	Timer Switch
ANC808A	Timer and Humidity Switch with Neon Indicator
ANC802A	Timer and Humidity Switch
ANC813A	Timer and PIR Switch
ANC846A	Timer and Humidity Switch with Duct Mounted Sensor
ELE150R	Six Input Junction Box