

# Lo-Carbon Multivent MVDC-MS/MSH

## Features & Benefits

- Best in class Specific Fan Power
- Reduces your carbon footprint
- Recognised in SAP PCDB
- Fitted with four extract 125 or 100mm diameter spigots allowing quick connection to ducts
- Complies with Building ADF (System 3)
- Option of wall, ceiling and loft mounting
- Improved controllability
- Switched Live Boost connection
- Fully variable normal and boost speeds
- Ultra quiet - acoustically lined for low noise levels
- Integral humidistat (H version)



With growing concerns about accurate ventilation of properties, the Lo-Carbon Multivent MVDC range offers the option of 'Close Control' both in the residential and the commercial sectors. With a DC motor the multi speed Lo-Carbon Multivent is one of the most efficient central extract units available.

The units have two fully variable speeds for trickle and boost, with a switched live (LS) activation for the boost speed. An additional third speed (purge) is available using a second switched live connection.

An acoustic lining is included as standard, ensuring minimum noise levels.

The potentiometer controlled speed selector allows accurate setting of airflow, ensuring exactly the right ventilation rate. This feature also reduces noise, and energy consumption.

## Models

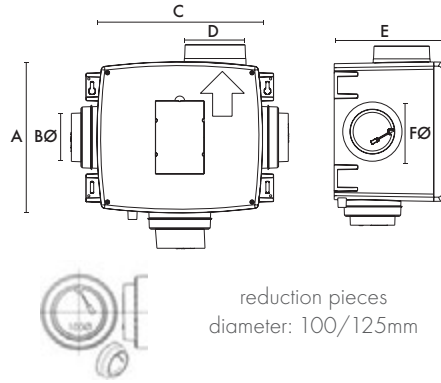
	Stock Ref
MVDC-MS	<b>437634</b>
MVDC-MSH	<b>443298</b>

## SAP PCDB Test Results

Exhaust Terminal Configuration	Total Flow Rate	SFP (W/l/s)
K + 1	21	0.16
K + 2	29	0.15
K + 3	37	0.17
K + 4	45	0.20
K + 5	53	0.24
K + 6	61	0.28

## Dimensions (mm)

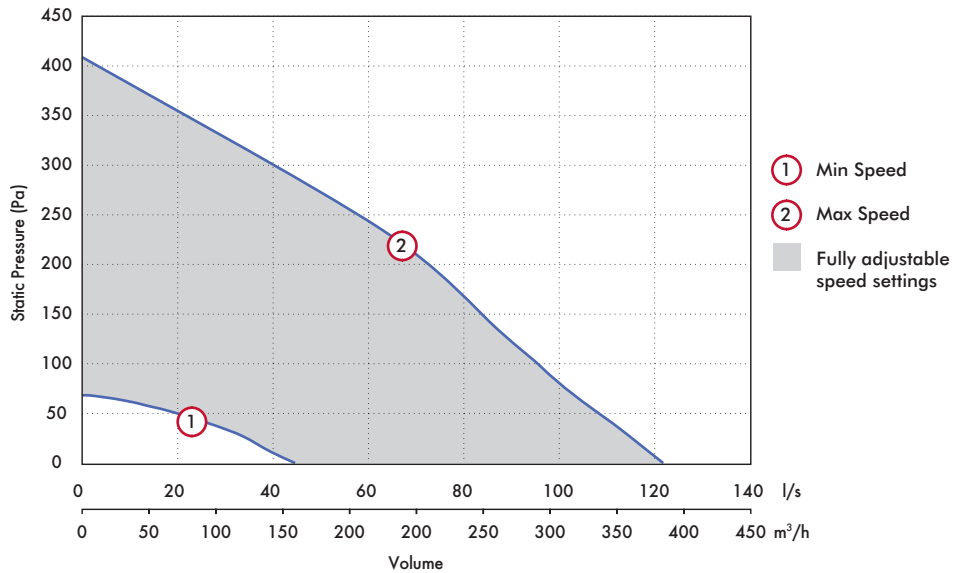
Weight: 5.50kg



A	BØ	C	DØ	E	FØ
310	100	340	125	249	100

## Performance Guide

MVDC-MSH features an integral humidistat which triggers the unit to boost when humidity levels in the duct system exceed 70%.



Model	Min				Max				SEC Class	inc. LDC
	Casing Breakout dB(A) @ 3m	Inlet Duct dB(A)	FID l/s	Power Watts	Casing Breakout dB(A) @ 3m	Inlet Duct dB(A)	FID l/s	Power Watts		
MVDC-MS	19	18	43	6	37	38	121	45	E	B
MCDC-MSH	19	18	43	6	37	38	121	45	E	B



BPC Ventilation Ltd  
8 Redlands Road  
Larne  
BT40 1AX

T: 028 2827 5150

E: [info@bpcventilation.com](mailto:info@bpcventilation.com)

W: [www.bpcventilation.com](http://www.bpcventilation.com)