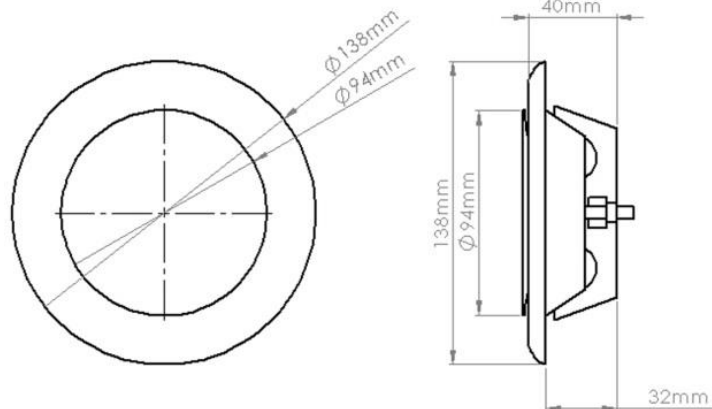


PRODUCT DATA SHEET

MW105

WHITE METAL CEILING AIR SUPPLY VALVE

W RAL9010


SPECIFICATION DETAILS

The MW105 100mm diameter Round White Metal Ceiling Air Supply Valve is manufactured from White Epoxy Powder Coated Steel and has minimum free area of 2,842mm² with Control Disc 10mm open. It has a male spigot for connection inside of the System 100mm duct.

The MW105 supply air valve is fully adjustable and has a locking nut to fix the position of the control disc upon commissioning.

The MW105 is supplied complete with a fixing body with pre-drilled holes for installation.

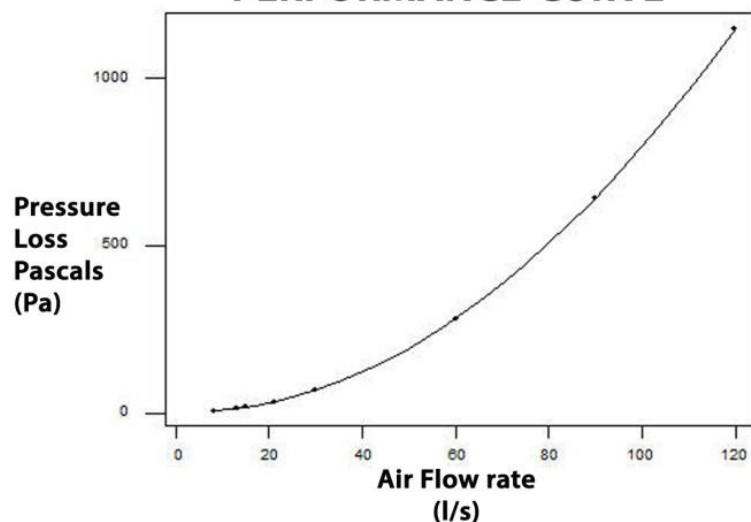
MW105 has been designed for use with Verplas System 100 Round.

MAX/MIN OPERATING TEMPERATURES

+ 60°C to - 15°C

Manufacturer:	Verplas Ltd
Part Number:	MW105
Size:	100mm Diameter
For use with:	Verplas System 100
Box quantity:	7
Individual Weight:	270g
Colour:	White

PERFORMANCE CURVE



*Pressure losses with Control Disc 10mm open

Associated Ancillaries



AIRFLOW	RESISTANCE
8 l/s	6.15 pa
13 l/s	12.35 pa
21 l/s	32.50 pa
30 l/s	66.50 pa
60 l/s	280.00 pa
120 l/s	1150.00 pa