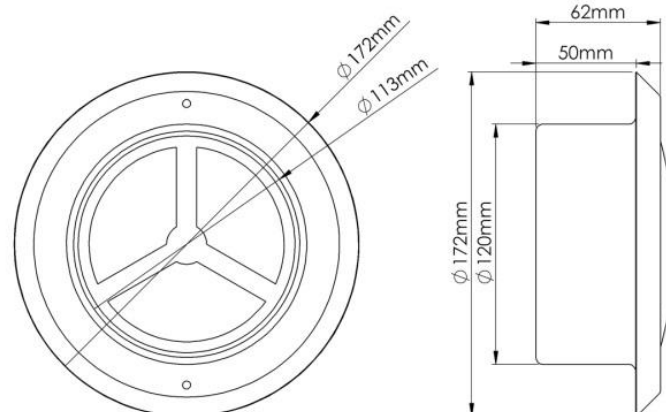


PRODUCT DATA SHEET

SS124

STAINLESS STEEL MULTI-PURPOSE CEILING VALVE



SPECIFICATION DETAILS

The SS124 125mm diameter Stainless Steel Multi-Purpose Ceiling Valve has minimum free area of 3435mm² with Control Disc 10mm open. It has a male spigot for connection inside of the System 125 duct.

The SS124 Ceiling Vent Diffuser is fully adjustable and has a locking nut to fix the position of the disc upon commissioning.

SS124 is manufactured in compliance with Domestic Plastic Ductwork Specification DW/154 and does meet UL94HB flammability standard.

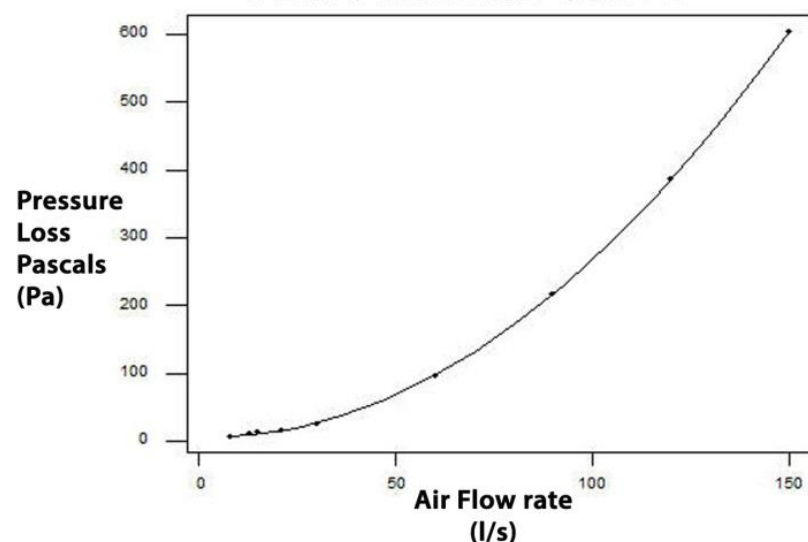
SS124 has been designed for use with Verplas System 125 Round.

Manufacturer:	Verplas Ltd
Part Number:	SS124
Size:	125mm Diameter
For use with:	Verplas System 125
Box quantity:	5
Individual Weight:	300g
Colour:	Silver

MAX/MIN OPERATING TEMPERATURES

+ 60°C to - 15°C

PERFORMANCE CURVE



*Pressure losses with Control Disc 10mm open

Associated Ancillaries



AIRFLOW	RESISTANCE
8 l/s	6.00 pa
13 l/s	10.00 pa
21 l/s	15.00 pa
30 l/s	24.80 pa
60 l/s	96.20 pa
120 l/s	386.90 pa