

HR100R

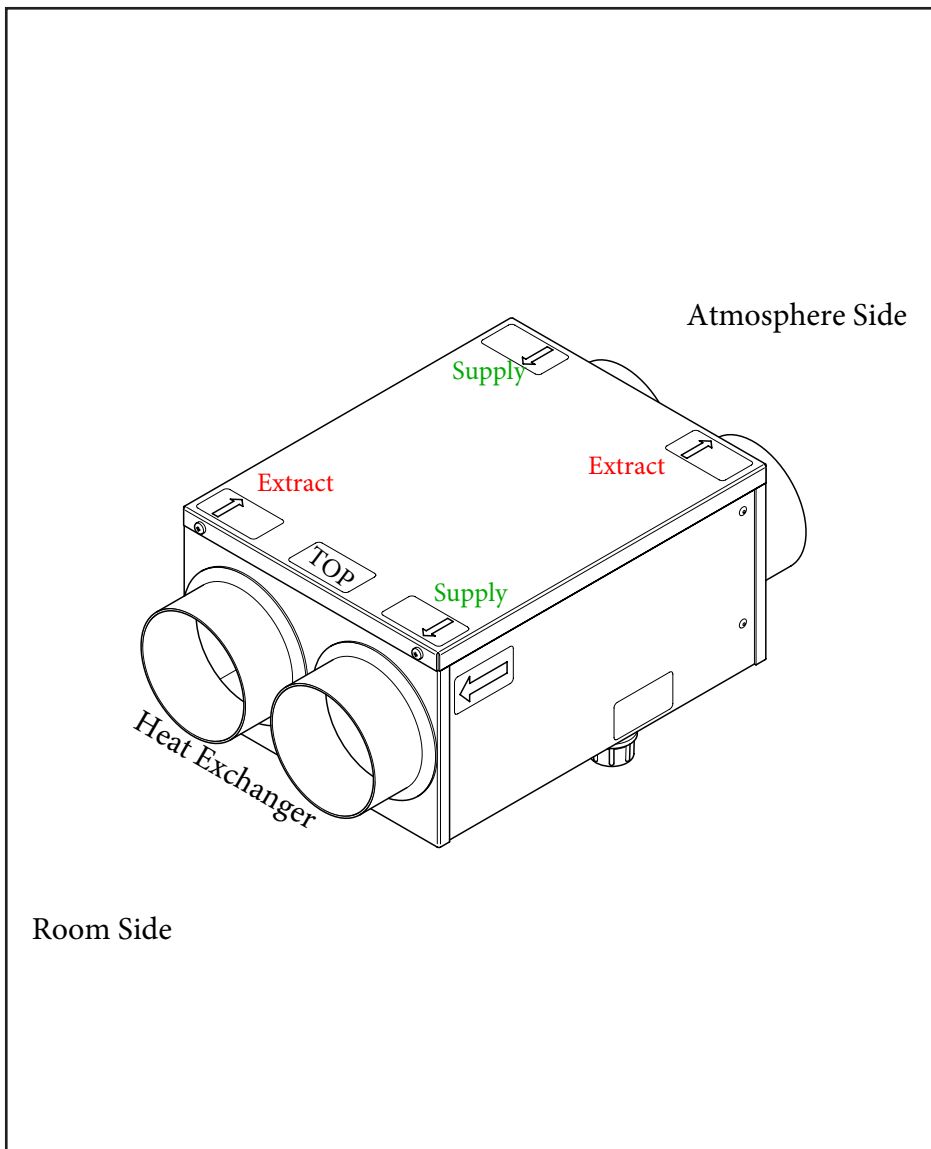


Mini Air Handling Unit -

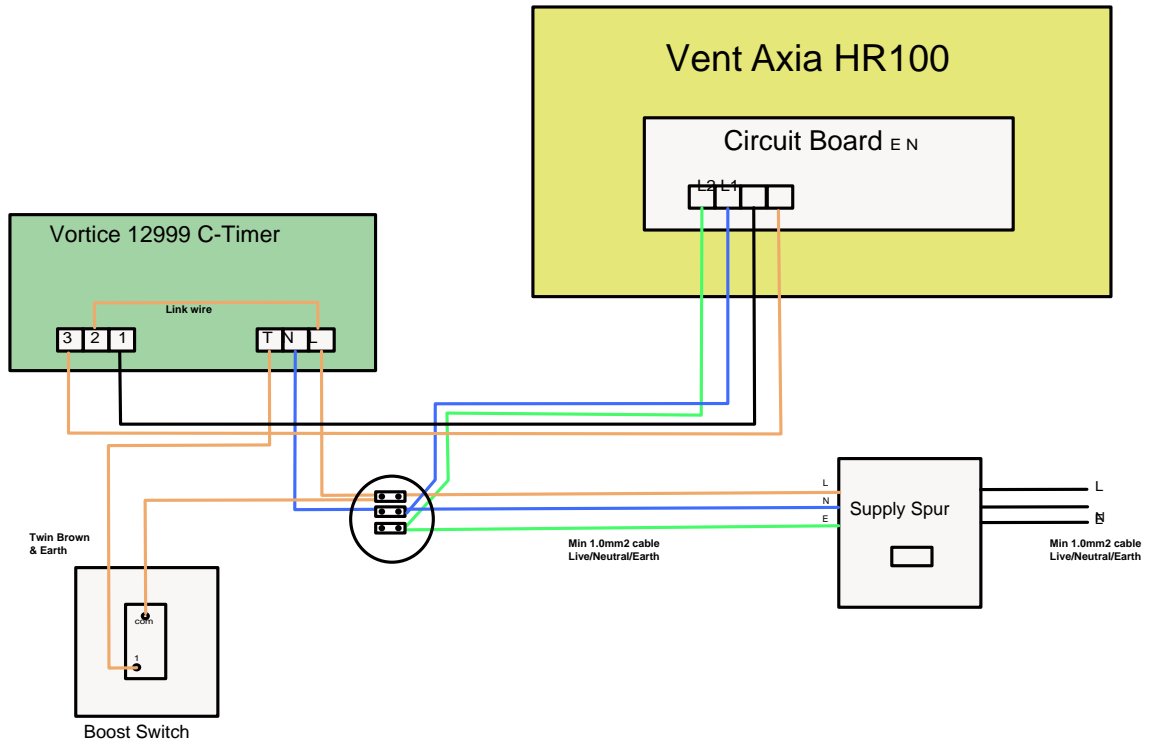
For Ducted Ventilation With Heat Recovery

Vent-Axia
Clean Air Systems

Installation Wiring Diagrams

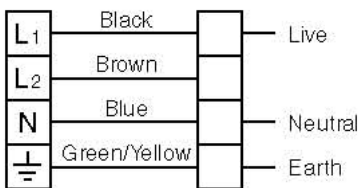


Timer Boost wiring on a Vent Axia HR100R / RS



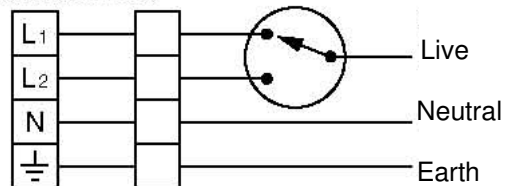
Continuous Normal Speed

HR100RS Terminals 3 amp fused supply



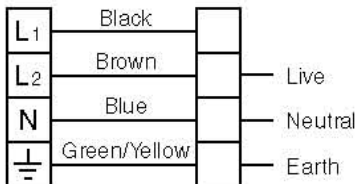
NBSW and PCSW: Manual Normal to Boost Speed Control

HR100RS Terminals 3 amp fused supply



Continuous Boost Speed

HR100RS Terminals 9 amp fused supply



The HR100RS **MUST NOT** be wired in conjunction with a light switch, units will fail.

