

# VL-100(E)U<sub>5</sub>-E

## Wall Mounted Model



The VL-100(E)U<sub>5</sub>-E units supply fresh air inside a room using simultaneous supply and extract operation in an energy efficient manner.

The recovery of both latent heat and sensible heat ensures a comfortable internal environment as well as reducing heat losses hence saving both energy and costs.

### Key Features

- Effective fresh air ventilation
- Improved air quality and comfort
- Efficient heat recovery
- Good sound attenuation
- Reduces heating / cooling costs
- Simple installation
- Low power consumption
- Low maintenance
- Available as pull cord or external switch type
- Total heat exchange (sensible and latent)



WALL- MOUNTED		VL-100U <sub>5</sub> -E	VL-100EU <sub>5</sub> -E
ELECTRICAL POWER SUPPLY		220-240V, 50Hz	220-240V, 50Hz
PHASE		Single	Single
POWER CONSUMPTION (W)	Low	17	17
	High	34	34
AIRFLOW (m <sup>3</sup> /h)	Low	61	61
	High	106	106
SOUND PRESSURE LEVEL (dBA)	Low	27	27
	High	38	38
TEMPERATURE EXCHANGE EFFICIENCY (%)	Low	79	79
	High	72	72
WEIGHT (kg)		7.5	7.5
DIMENSIONS (mm)	Width	620	620
	Depth	200	200
	Height	265	265
DUCT SIZE (mm)		2 x 075	2 x 075
FUSE RATING (BS88) - HRC (A)		6	6
MAINS CABLE No. Cores		3	3
CONTROL ON/OFF		Pull Cord	VFC for External Wall Switch (Field Supply)

Notes: The VL-100U<sub>5</sub>-E includes a pull cord switch to control the unit. Also available as VL-100EU<sub>5</sub>-E which includes the option to fit a field supplied external wall switch

## Accessories

### High Efficiency Filters

#### P-100HF<sub>5</sub>-E

High efficiency filter for VL-100(E)U<sub>5</sub>-E

### Extension Pipe Kits

#### P-100P-E

Extension pipe for VL-100(E)U<sub>5</sub>-E

#### P-100PJ-E

Extension pipe joint for VL-100(E)U<sub>5</sub>-E



BPC Ventilation Ltd  
8 Redlands Road  
Larne  
BT40 1AX

T: 028 2827 5150

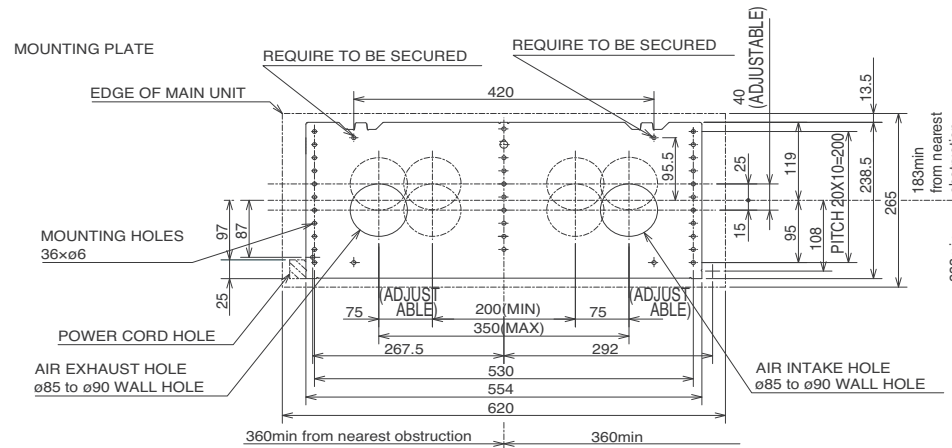
E: [info@bpcventilation.com](mailto:info@bpcventilation.com)

W: [www.bpcventilation.com](http://www.bpcventilation.com)

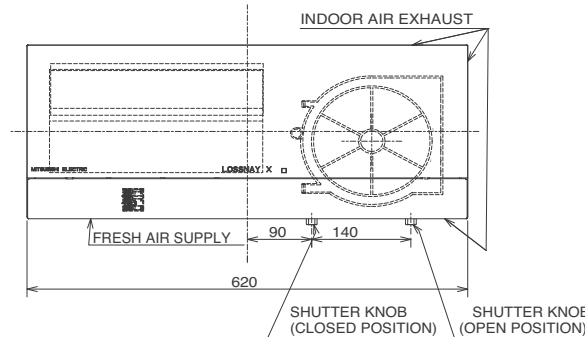
## Product Dimensions

### VL-100(E)U<sub>5</sub>-E

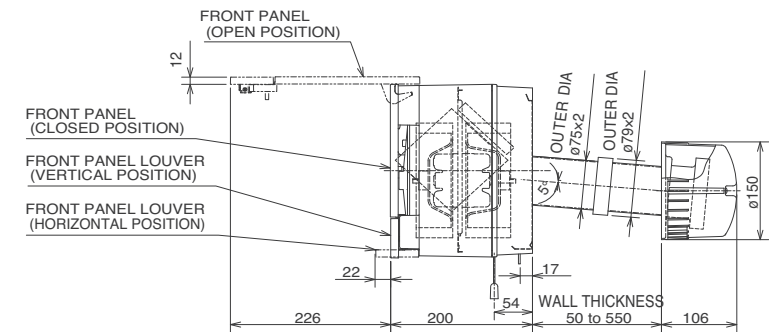
#### Front View



#### Upper View



#### Side View



Unit: mm