

# YGC

External wall grille



# External wall grille

YGC



## Description

Valve for outdoor air intake and extract air discharge. Designed with a fixed louvre.

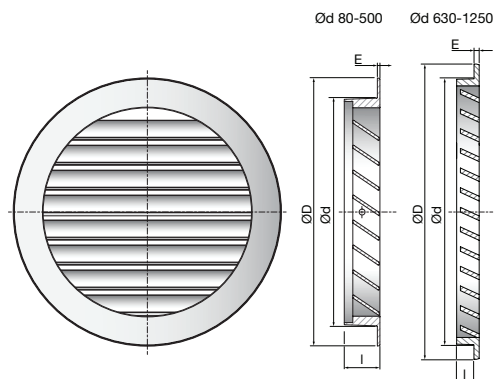
Ø 80-1250 is equipped with net. Mesh width 10 × 10 mm.

Screws or nails connect to an external wall. Delivery as standard with bird net.

## Maintenance

The grille should be removed to gain access to the duct. The external parts should be wiped with a damp cloth.

## Min. - max. dimensions



Ød nom	ØD [mm]	I [mm]	E [mm]	A <sub>f</sub> [m <sup>2</sup> ]	Weight [Kg]
80 *	98	10.0	3.5	0.003	0.10
100 *	123	19.5	2.5	0.006	0.13
125 *	149	19.5	2.5	0.009	0.18
150 *	173	19.5	2.5	0.013	0.23
160 *	183	19.0	3.0	0.015	0.27
200 *	223	19.0	3.0	0.024	0.47
250 *	273	21.5	3.5	0.038	0.70
315 *	338	21.0	4.0	0.063	1.09
400 *	440	34.0	6.5	0.079	3.00
500 *	545	34.0	6.5	0.118	5.50
630	670	50	1.5	0.20	10
710	750	50	1.5	0.26	12.4
800	840	50	1.5	0.34	14.6
1000	1040	50	1.5	0.52	21
1250	1290	50	1.5	0.82	35

\* The grill has 2 × Ø4.2 mm screw holes on the side for mounting.

Ød > 500 mm, no pre-drilled holes for mounting.

A<sub>f</sub> (m<sup>2</sup>) = Free area

## Order code

<b>Product</b>	YGC	aaa
<b>Type</b>		
YGC		
<b>Connection dim. Ød</b>		
Ød 80 - 1250		

Example: YGC-160

## Materials and finish

Grille: Ø80 - 500 Cast aluminium  
Grille: Ø630 - 1250 Galvanised steel

Standard finish: Untreated

Can be supplied powder-coated. Contact Lindab's sales department for further information.

# External wall grille

YGC

## Technical data

### Capacity

Air flow rate  $q_v$  [l/s] and [m<sup>3</sup>/h], total pressure drop,  $\Delta p_t$  [Pa], can be seen in the diagrams.

### Sound pressure level in free field (1/4 spherical)

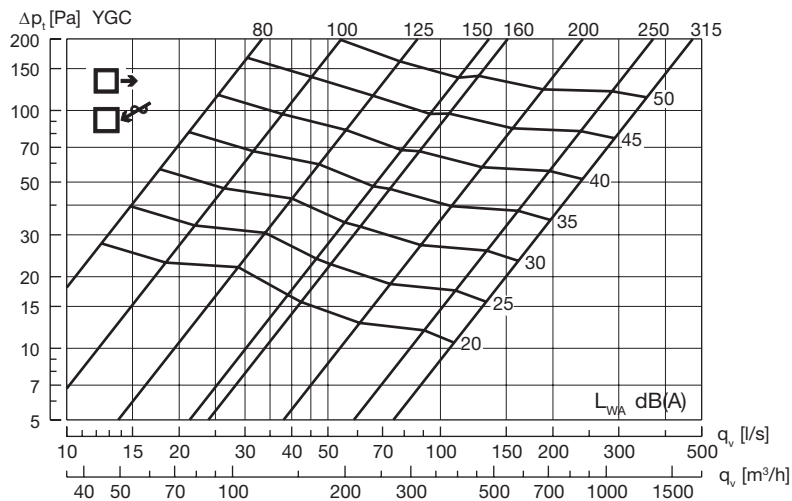
Sound power level  $L_{WA}$  [dB(A)] can be seen in the diagrams.

For sound pressure level at distance X [m]:

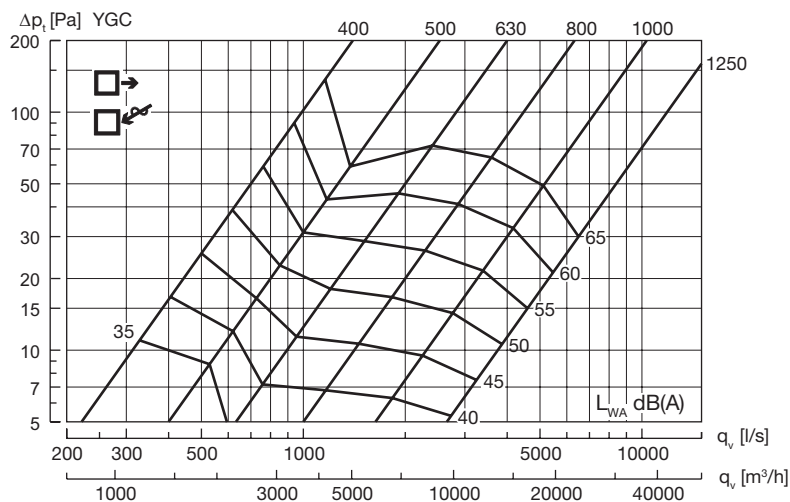
$$L_{pA} = L_{WA} - K, \text{ see table below}$$

X [m]	1	2	3	4	5	10	20
K [dB]	-5	-12	-15	-17	-19	-25	-30

### YGC 80-315



### YGC 400-1250





Most of us spend the majority of our time indoors. Indoor climate is crucial to how we feel, how productive we are and if we stay healthy.

We at Lindab have therefore made it our most important objective to contribute to an indoor climate that improves people's lives. We do this by developing energy-efficient ventilation solutions and durable building products. We also aim to contribute to a better climate for our planet by working in a way that is sustainable for both people and the environment.

[Lindab](#) | For a better climate