



# ECOBLUE®

RANGE

---

C4 - 400° C - 1/2 hrs  
Very low consumption  
CMV/Collective extraction units  
Flow rate 50 to 1800 m<sup>3</sup>/h

# 01



## Ventilation unit

EC MOTOR (direct current), flow rate 200 to 5 000 m<sup>3</sup>/h

Communicating MODBUS RS485  
CTICM C4 - 400° C - 1/2 h approved  
PV n° EFR-15-002420  
CSTB technical notification for Hygro A,  
Hygro B and Hygro Gas usage  
Econological® solution



### APPLICATION

- Intended mainly for air extraction in houses and public assembly buildings requiring low and average flow rates.
- C4, 400°C 1/2 h certified 50 Hz and 60 Hz.
- ▲ **ECOBLUE®** units fitted with the EC motor (direct current) fulfil the requirements of directive ErP 2009/125/EC (2nd phase, 2018). Featuring a simple regulation of use, **ECOBLUE®** box enables a self-regulating constant pressure operation, **LOBBY®** mode.
- ▲ The **ECOBLUE®** self-regulates in constant pressure mode. Factory-set at 150 Pa. This pressure can be adjusted from the controller with digital display, user friendly and easy to use for direct pressure display. This self-regulating fashion **LOBBY®** variable flow and constant pressure makes it possible to implement a very low consumption collective building.

### RANGE

- Comprising 3 models, the range covers flow rates from 50 to 1 800 m<sup>3</sup>/h.

### INSTALLATION

- Can be installed indoors or outdoors, on the ground or suspended.
- Its cubic shape adapts to all intake/discharge combinations to 90°.
- ▲ The technical back panel grouping the proximity switch and **LOBBY®** controller with digital display allows a 90° rotation adapted to the installation position to maintain the sense of reading **LOBBY®** regulator. Access to all internal parts by the technical panel for easy maintenance.

### CONSTRUCTION

- Housing: galvanized steel sheet. Amply dimensioned, it offers powerful air handling and acoustic performance characteristics.
- Removable access panels.
- Bird protection grid on discharge.

- Two circular nozzles with double lip seal for watertight networks (ATEC CSTB No. 13-224-V2).
- Local padlockable switch on front panel.
- ▲ **LOBBY®** regulator, constant pressure self-regulated, with digital display, RS485 MODBUS communicating in IP54 housing.
- The box incorporates a function **ECOBLUE®** airflow fault relay. This programming includes a management: **Flaw** signal by contacting a pressure less than 80 Pa (gas pressure switch function). visual indication of a flashing default pressure of the green screen / red.  
**Mistral 60 S**: 60 s delay on the fault contact to not trigger false alarms.  
**LED**: this contact available can connect a red light indicates a malfunction of the box.

### MOTOR FAN

- ▲ Direct drive DC motor with high efficiency electronic commutation (EC) (ErP 2009/125/EC, 2nd phase 2018 compliant).
- Turbine Action in specific high efficiency and low noise profile. The association, in the **ECOBLUE®** box, the EC motor and a turbine profile ensures very high performance to very low power **éconologique®** solution of the RT2012 and the requirements of the 2018 phase of the Ecodesign Directive ErP 2009/125 / EC.

### CONTROL PANEL

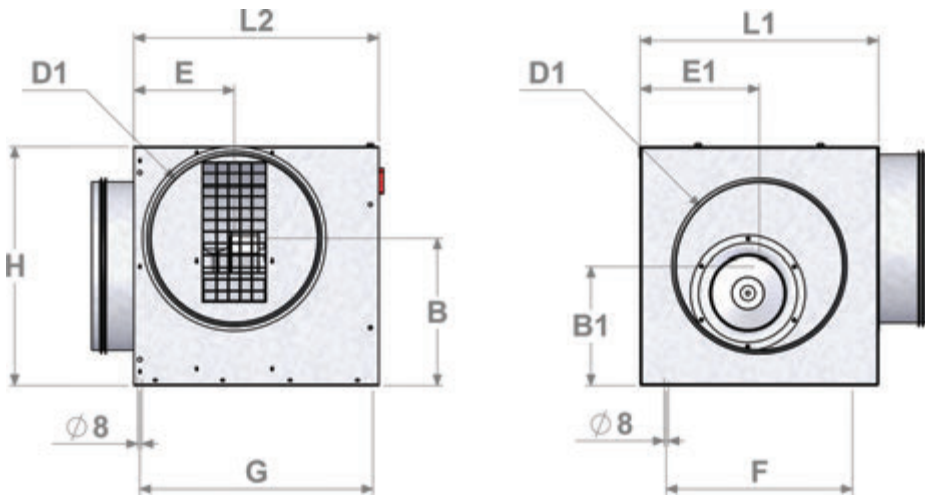
- ECOBLUE®** has a **LOBBY** regulator in IP54 case with digital display to enter the setting of the user-friendly set pressure and easy to use. In operation, the screen displays the pressure continuously instant service. **ECOBLUE®** is communicating standard MODBUS RS485 for integration in GTC for ERP or simple remote management of apartment buildings.

## ELECTRICAL CHARACTERISTICS

## ECOBLUE®

ECOBLUE® Model	Power supply voltage (V / Ph / Hz)	Electrical power (W)	Protection current (A)	Usage temp. (°C / °C)	Motor IP/Class	Thermal protection *
ECOBLUE® 600	101	-20 / 50	IP44 / F	PTI	230 / 1 / 50	0.8
ECOBLUE® 1000	150	-20 / 50	IP44 / F	PTI	230 / 1 / 50	1.2
ECOBLUE® 1800	320	-20 / 50	IP44 / F	PTI	230 / 1 / 50	1.4

\* PTI: Integrated thermal cutout



ECOBLUE® Model	PIQUAGES		DIMENSION UNIT				DISCHARGE POSITION				FIXING		WEIGHT kg
	D1 mm	L1 mm	L2 mm	H mm	B mm	E mm	B1 mm	E1 mm	F mm	G mm			
600	250	370	425	370	225	150	185	185	280	405	18		
1000	315	450	460	450	275	190	225	225	350	440	24		
1800	355	555	485	555	360	200	275	275	400	465	34		



The values "Lp4m dB (A)" (○) shown on the curves correspond to the sound pressure level at 4 m hemispherical free field on a reflective surface, rejection not connected a subwoofer ECOBLUE®.

The values "LWA cond suction dB (A)" (□) shown on the curves correspond to the total sound power level radiated into the suction of a ECOBLUE® conduit.

For the acoustic spectrum of sound power "LWA cond suction dB (A)" suction side, add the following values to the sound power level "LWA cond suction dB (A)" mentioned on the curves (□).

Acoustic spectral weighting function of upstream suction cond LWA (dB (A)) (□) shown on the curves								
Frequency	63 Hz	125 Hz	250 Hz	500 Hz	1000 Hz	2000 Hz	4000 Hz	8000 Hz
ECOBLUE 600	-29	-16	-4	-8	-10	-8	-11	-21
ECOBLUE 1000	-26	-13	-6	-12	-6	-7	-8	-16
ECOBLUE 1800	-26	-13	-7	-8	-6	-8	-9	-17

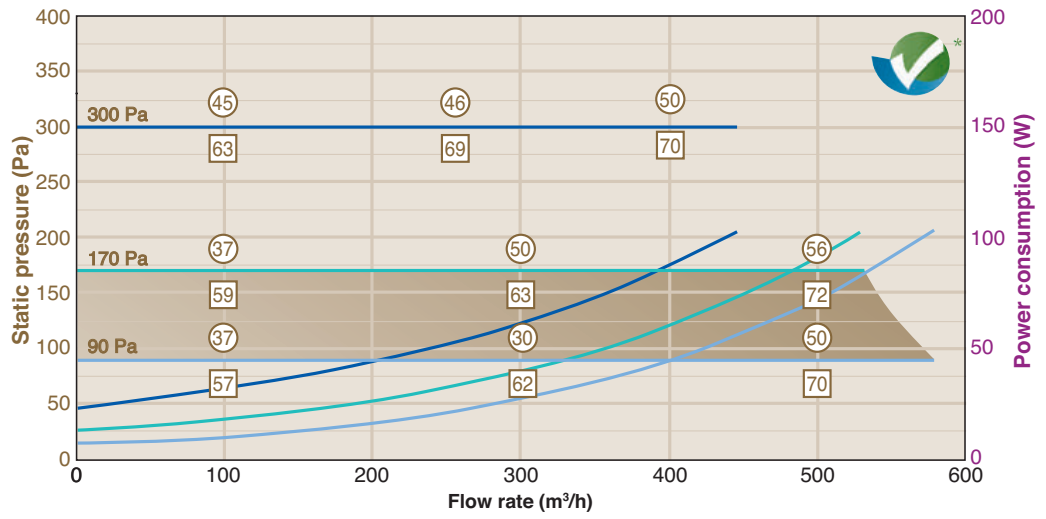
For the sound level the global sound power level radiated into the duct to discharge "cond refoulemet LwA dB (A)", apply the following weightings: ECOBLUE®: LWA cond refoulemet dB (A) = Lp4m (○) + 20.

To get the sound pressure level Lp dB (A), hemispherical free field, at a distance, unit floor standing on reflective surface, connected to the suction side, not connected discharge side, add the following values to Lp4m dB (A) (○) indicated on the curves.

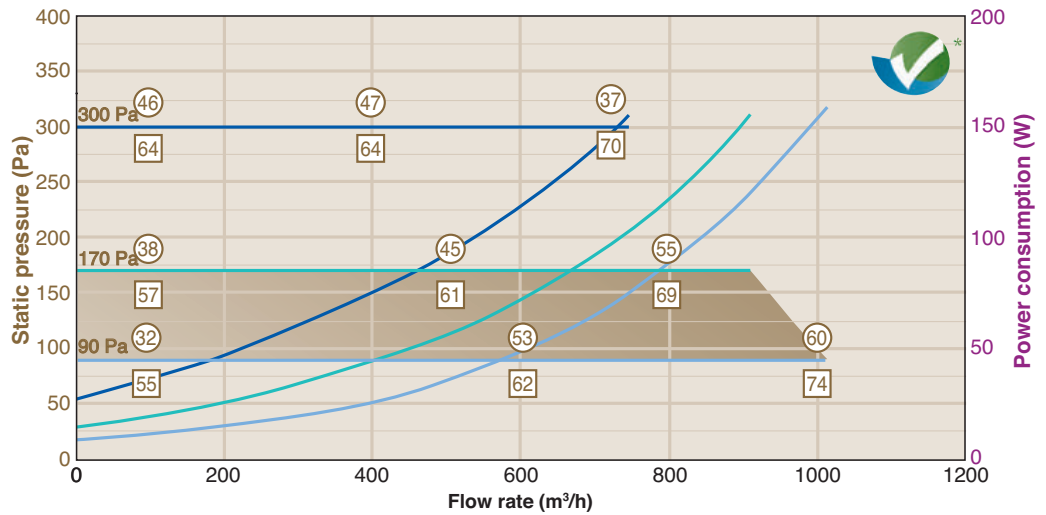
Weighted Lp at various distances depending on Lp4m (○)						
Distance	2 m	3 m	4 m	5 m	7 m	10 m
Distance weighting dB(A)	6	2	0	-2	-5	-8

Tolerance: Overall values +/- 3 dB(A)  
Acoustic spectrum +/- 5 dB(A)

ECOBLUE® 600



ECOBLUE® 1000



ECOBLUE® 1800

