



Lindab Heat Recovery – energy saving

Heat Recovery Unit XHBQ

A heat recovery unit suitable for commercial and residential applications especially to improve indoor air quality in health and leisure facilities or increase productivity in office and educational environments.

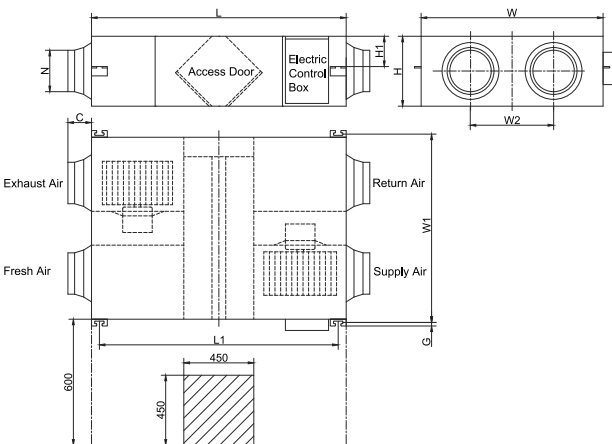
The slim unit provides flexible installation design and incorporates an innovative high efficiency counterflow heat exchanger and energy saving BLDC motor with quiet operation and easily maintained air filters to remove pollutants from incoming air.

The intelligent control system includes BMS facility, summer auto-bypass, independent fans speeds, as well as optional CO₂ control and heater battery additions.

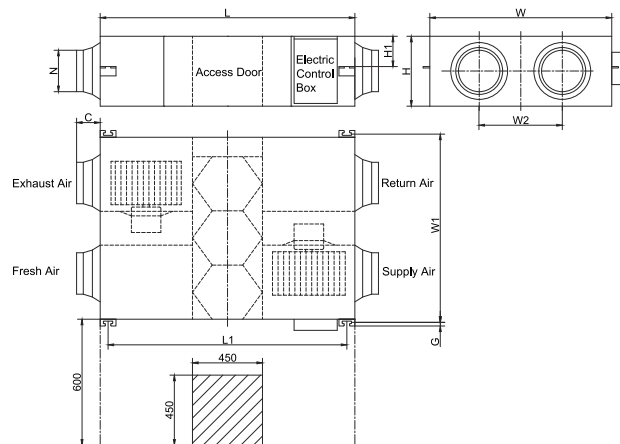


Dimensions

Product	L mm	L1 mm	W mm	W1 mm	W2 mm	H mm	H1 mm	C mm	G mm	ØN mm	kg
XHBQ250TPA	882	810	599	657	315	270	20	100	19	144	29
XHBQ350TPA	882	810	804	860	480	270	111	100	19	144	37
XHBQ500TPA	962	890	904	960	500	270	111	107	19	194	43
XHBQ650TPA	1222	1150	884	940	480	340	111	107	19	194	64
XHBQ800TPA	1322	1250	884	940	428	388	146	85	19	242	71
XHBQ1000TPA	1322	1250	1134	1190	678	388	170	85	19	242	83



XHBQ-D2.5TP~5TP



XHBQ-D6.5TP~10TP





Intelligent Control Options



BMS control,
CO2 control,
humidity control,
auto-bypass,
external demand
control



A Class
Energy Efficiency
According to EU regulation
1254/2014

ErP
Ready

Technical data

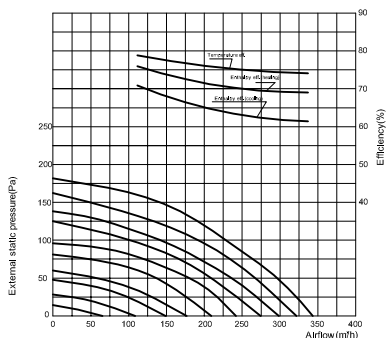
Product	Rated air flow m ³ /h	Voltage V	Electric power input W	Rated E.S.P Pa	Noise Temperature Efficiency %
XHBQ250TPA	250	220	46	85	75-82
XHBQ350TPA	350	220	60	90	75-84
XHBQ500TPA	500	220	88	100	75-86
XHBQ650TPA	650	220	114	85	75-84
XHBQ800TPA	800	220	186	130	75-84
XHBQ1000TPA	1000	220	243	110	75-85

Product		Air flow m ³ /h	External Pressure Pa	Noise dB(A)	Enthalpy Efficiency %	
					Summer	Winter
XHBQ250TPA	Low	165	30	22	67	73
	Medium	250	70	26	63	70
	High	250	85	27	63	70
XHBQ350TPA	Low	270	36	25	67	72
	Medium	350	60	29	66	69
	High	350	90	31	66	69
XHBQ500TPA	Low	360	30	25	68	72
	Medium	500	60	31	62	67
	High	500	100	33	62	67
XHBQ650TPA	Low	515	25	30	64	70
	Medium	650	40	34	65	68
	High	650	70	35	62	68
XHBQ800TPA	Low	625	60	32	68	74
	Medium	800	98	36	65	71
	High	800	120	38	65	71
XHBQ1000TPA	Low	780	25	31	68	74
	Medium	1000	35	36	65	71
	High	1000	85	38	65	71



Performance Charts

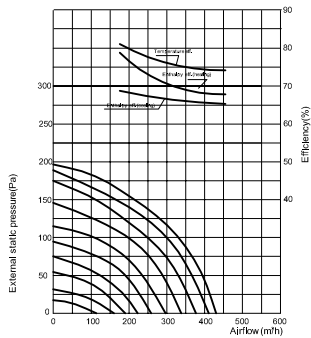
XHBQ250TPA



Specific Fan Power (W/(l/s))

Low	1.00
Med	0.66
High	0.66

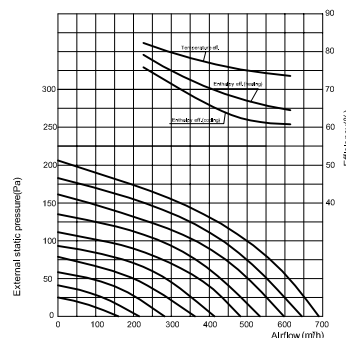
XHBQ350TPA



Specific Fan Power (W/(l/s))

Low	0.80
Med	0.61
High	0.61

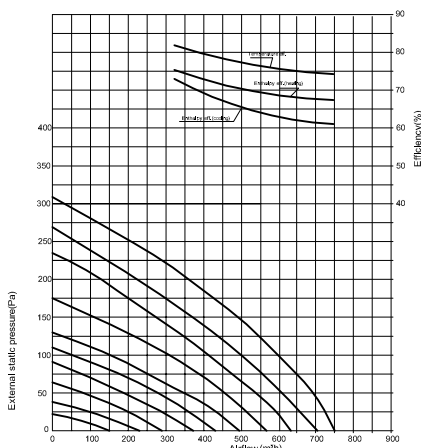
XHBQ500TPA



Specific Fan Power (W/(l/s))

Low	0.88
Med	0.63
High	0.63

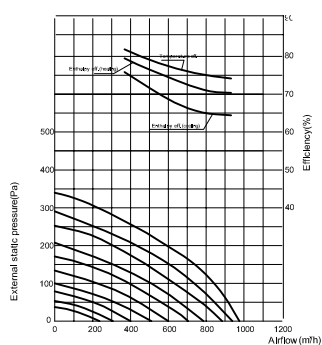
XHBQ650TPA



Specific Fan Power (W/(l/s))

Low	0.79
Med	0.63
High	0.63

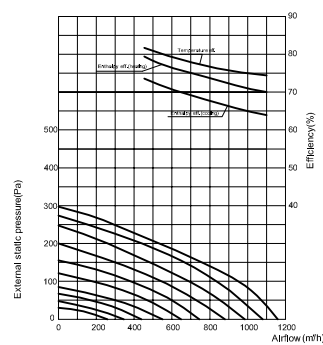
XHBQ800TPA



Specific Fan Power (W/(l/s))

Low	1.07
Med	0.83
High	0.83

XHBQ1000TPA



Specific Fan Power (W/(l/s))

Low	1.10
Med	0.87
High	0.87