

MRXBOXAB-ECO4

and Opposite Handed version

ACHIEVES
100%
DUTY IN BYPASS
MODE

The MRXBOXAB-ECO4 has been designed with automatic 100% bypass as listed on the SAP Product Characteristics Database (PCDB).

Due to its intelligent and smart design, there will be no reduction in airflow when operating in bypass mode resulting in enhanced performance.

The MRXBOXAB-ECO4 is designed to provide optimised balanced (supply and extract) mechanical ventilation with heat recovery and listed on the PCDB.

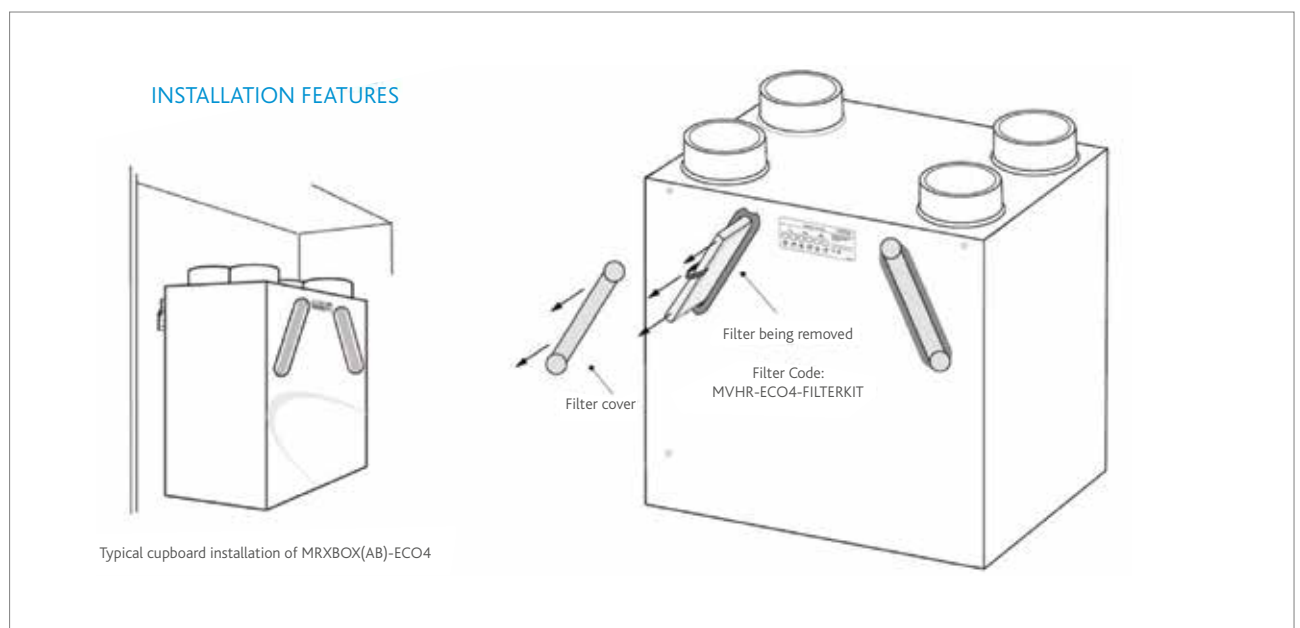
The unit operates by continuously extracting moisture-laden air from 'wet' rooms within the property and at the same time drawing in fresh supply air from outside. The heat from the extracted stale air is recovered via a heat exchanger inside the heat recovery unit which becomes tempered then filtered before supplying into the habitable rooms creating comfortable and well ventilated homes.

The heat exchanger block within the units can recover up to 95% of the normally wasted heat. The two independent fans have full speed control for background and boost ventilation rates.

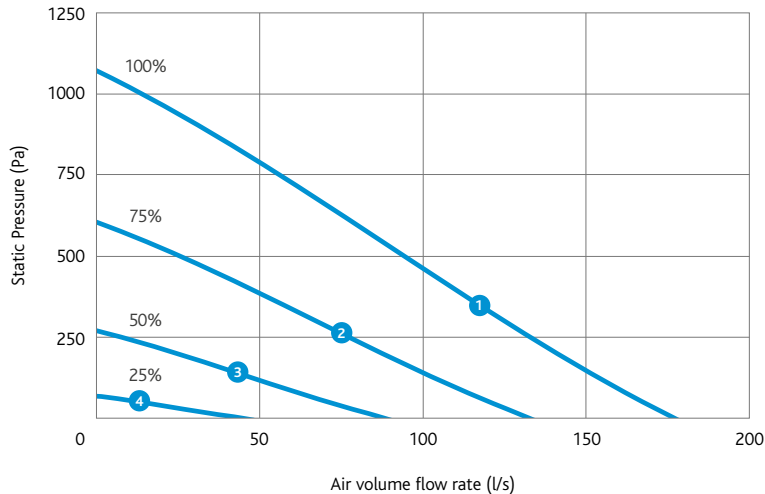
The MRXBOXAB-ECO4 has a Summer bypass function. In warmer months this function automatically activates to ensure the property is being well-ventilated, and comfort levels are maintained in the home by continuously drawing in fresh filtered air into the habitable rooms.



Typical Installation ▼



Performance - MRXBOXAB-ECO4 ▼



CODE DESCRIPTION

MRXBOXAB-ECO4

Wall mounted unit with 100% bypass and integral humidistat.

MRXBOXAB-ECO4-OH

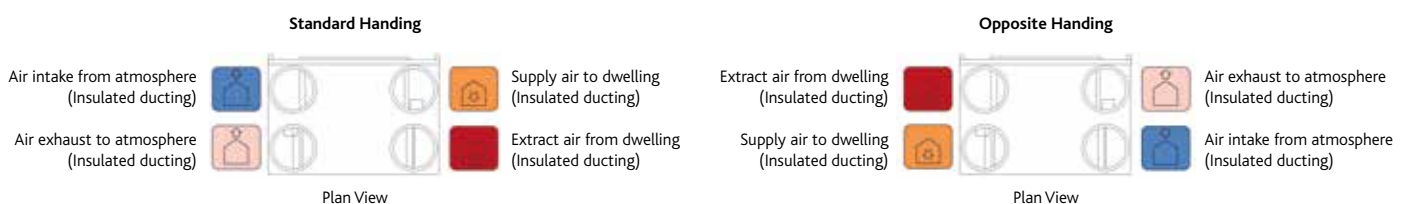
Opposite handed configuration wall mounted unit with 100% bypass and integral humidistat.

Electrical & Sound ▼

| Curve | Maximum power consumption (Watts) | | Sound Power Levels dB re 1pW (Frequency Hz) | | | | | | | | dBA @3m |
|-------|-----------------------------------|-------------|---|-----|-----|-----|----|-----|-----|-----|---------|
| | | | 63 | 125 | 250 | 500 | 1k | 2k | 4k | 8k | |
| 1 | 350 | Open inlet | 61 | 56 | 56 | 63 | 53 | 48 | 40 | 33 | |
| | | Open outlet | 64 | 65 | 66 | 77 | 66 | 64 | 58 | 55 | |
| | | Breakout | 66 | 63 | 61 | 62 | 49 | 41 | 34 | 26 | 43 |
| 2 | 152 | Open inlet | 53 | 54 | 54 | 59 | 49 | 43 | 34 | 27 | |
| | | Open outlet | 60 | 64 | 62 | 73 | 61 | 58 | 52 | 48 | |
| | | Breakout | 63 | 61 | 58 | 62 | 47 | 38 | 32 | 22 | 42 |
| 3 | 41 | Open inlet | 44 | 48 | 45 | 43 | 37 | 33 | 19 | <16 | |
| | | Open outlet | 51 | 58 | 58 | 55 | 49 | 47 | 38 | 31 | |
| | | Breakout | 50 | 55 | 54 | 44 | 36 | 29 | 17 | <16 | 30 |
| 4 | 10 | Open inlet | 38 | 34 | 28 | 22 | 18 | <16 | <16 | <16 | |
| | | Open outlet | 44 | 42 | 34 | 32 | 25 | <16 | <16 | <16 | |
| | | Breakout | 39 | 40 | 34 | 22 | 19 | <16 | <16 | <16 | <16 |

The maximum power consumption shown above (Watts) is consumed on units running continuously, not taking into account any heat recovery saving and based on SAP Product Characteristic Database (PCDB) testing. The breakout case-radiated dBA values are given for Hemispherical free field radiation at 3m - to obtain the Spherical radiated data, subtract 3 dBA.

Please note: Sound data is provided at a particular duty point for 25%, 50%, 75% and 100%. For accurate sound data at a specific speed duty, please use Nuaire's fan selector or call the office on 029 2085 8500.



MRXBOXAB-ECO4

SAP 2009 Test Results ▼

| Product Code | MRXBOXAB-ECO4 | | |
|----------------------|----------------------------|--------------------------|---|
| Application | Specific Fan Power (W/l/s) | Heat Exchange Efficiency | Energy Saving Trust Best Practice Compliant |
| Kitchen + 1 Wet Room | 0.62 | 94% | Yes |
| Kitchen + 2 Wet Room | 0.56 | 94% | Yes |
| Kitchen + 3 Wet Room | 0.56 | 93% | Yes |
| Kitchen + 4 Wet Room | 0.61 | 93% | Yes |
| Kitchen + 5 Wet Room | 0.67 | 93% | Yes |
| Kitchen + 6 Wet Room | 0.75 | 92% | Yes |
| Kitchen + 7 Wet Room | 0.90 | 91% | Yes |

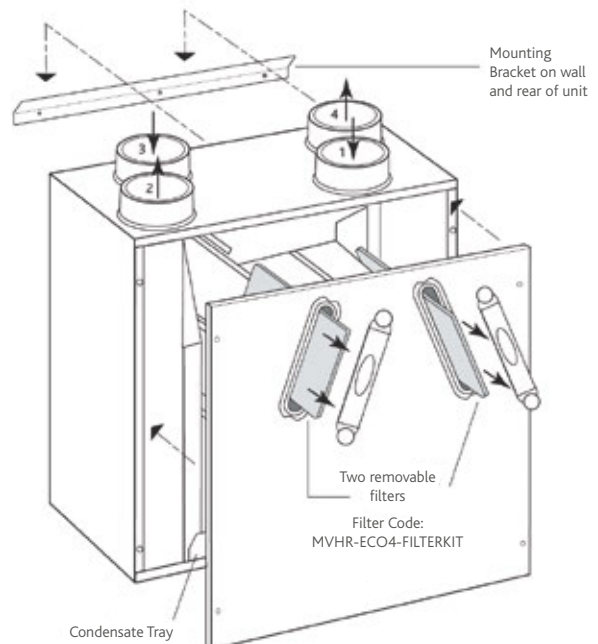
SAP 2012 Test Results ▼

| Product Code | MRXBOXAB-ECO4 | | |
|----------------------|----------------------------|--------------------------|---|
| Application | Specific Fan Power (W/l/s) | Heat Exchange Efficiency | Energy Saving Trust Best Practice Compliant |
| Kitchen + 1 Wet Room | 0.62 | 94% | Yes |
| Kitchen + 2 Wet Room | 0.62 | 93% | Yes |
| Kitchen + 3 Wet Room | 0.66 | 93% | Yes |
| Kitchen + 4 Wet Room | 0.79 | 92% | Yes |
| Kitchen + 5 Wet Room | 0.94 | 91% | Yes |
| Kitchen + 6 Wet Room | 1.15 | 91% | Yes |
| Kitchen + 7 Wet Room | 1.41 | 91% | Yes |

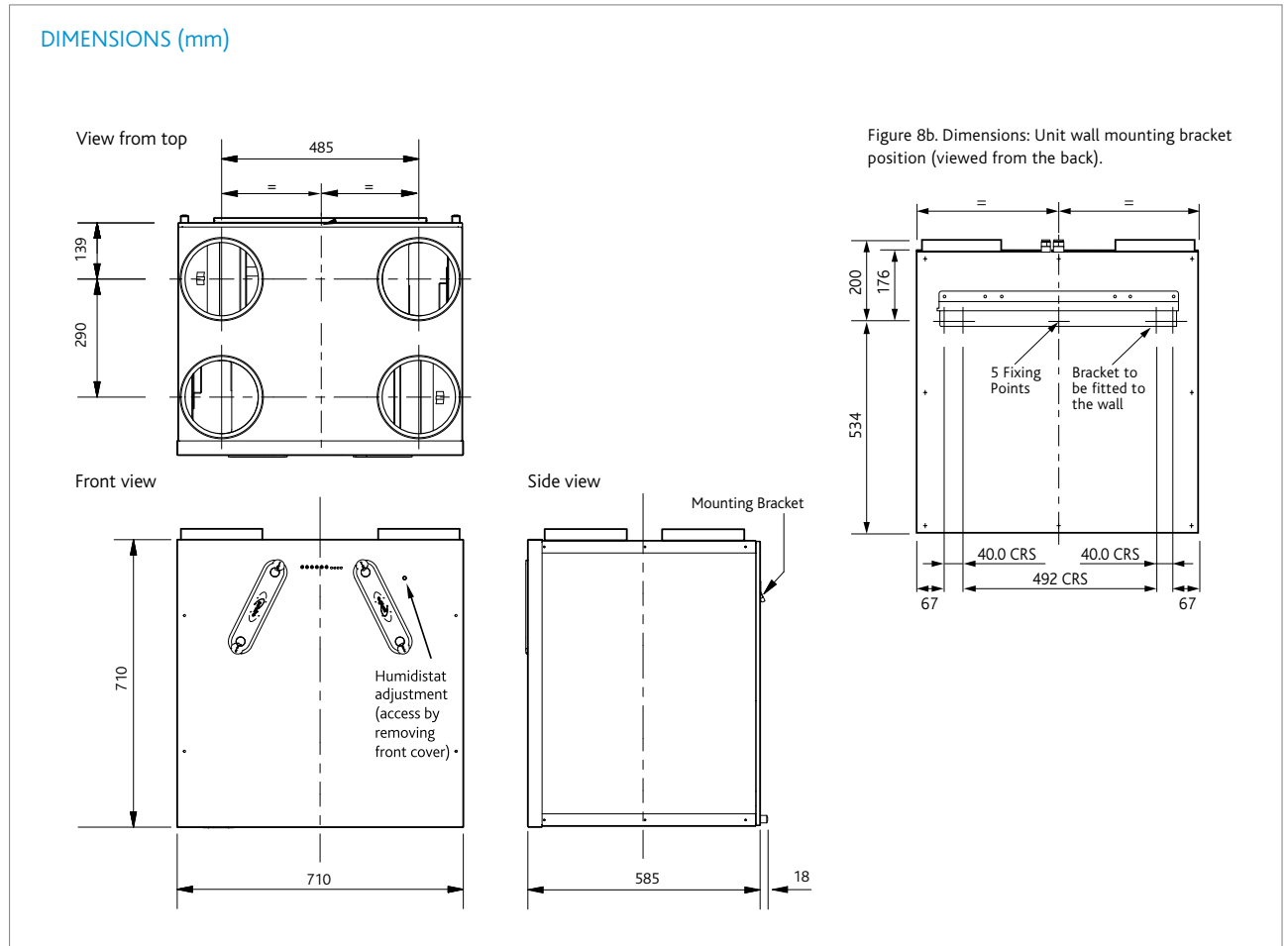
General Arrangement ▼

SPIGOT LOCATION & DUCTING REFERENCES

- Spigot 1. 200mm dia. = Extract air from dwelling.
- Spigot 2. 200mm dia. = Extract air to outside.
- Spigot 3. 200mm dia. = Intake air from outside.
- Spigot 4. 200mm dia. = Supply air to property



Technical - MRXBOXAB-ECO4 ▼



Electrical Details ▼

Please note: The electrical connection of the unit must be carried out by a qualified electrician.

The unit is supplied with a flexible cord for connection to the mains supply.

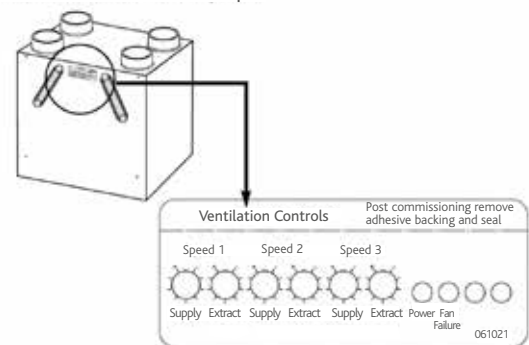
The mains power supply cable should be connected to a fixed wiring installation in accordance with current IEE wiring regulations.

Electrical Details: MRXBOXAB-ECO4

Voltage: 230V 1ph 50Hz

Consumption: 2.4 Amp

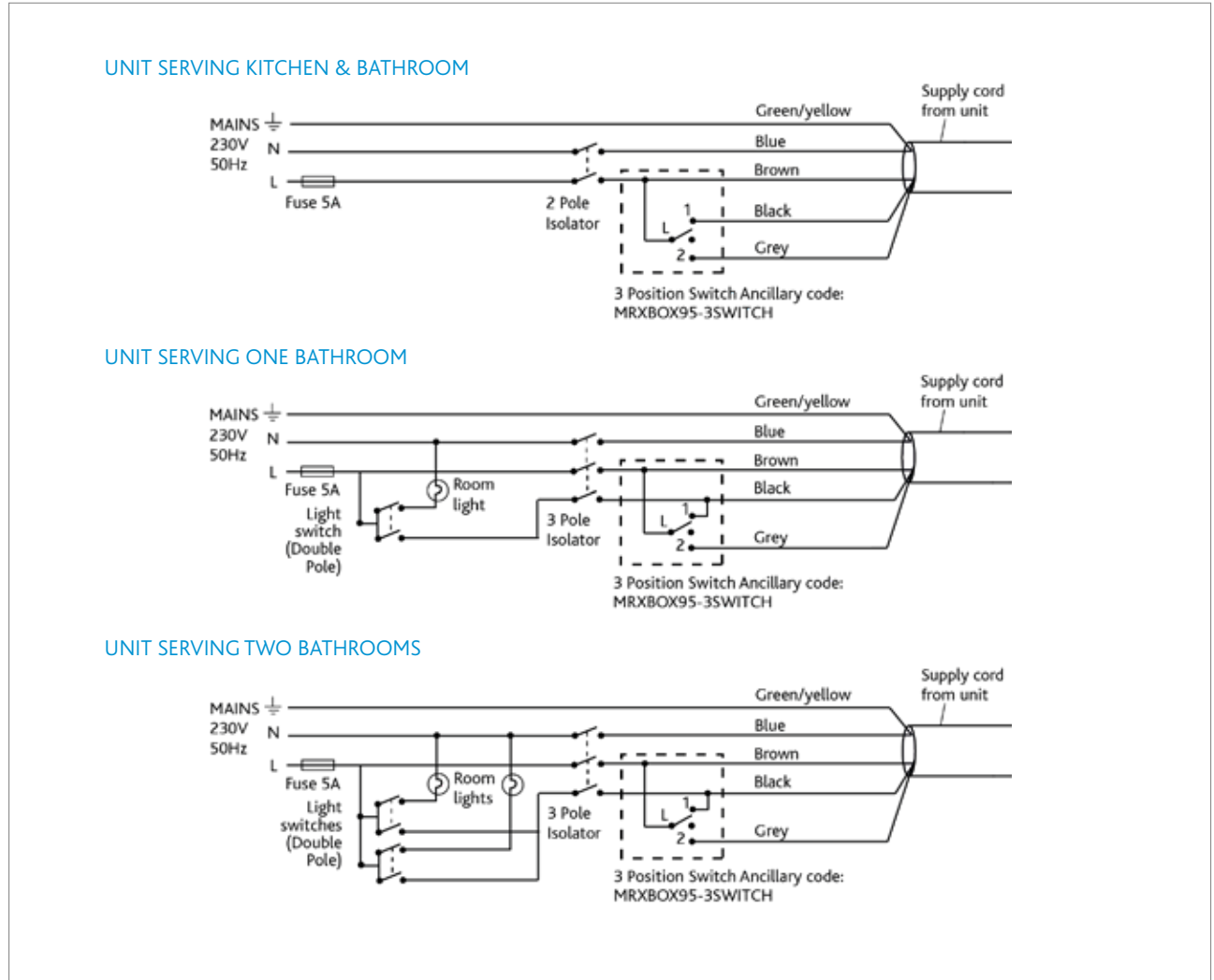
Detail of unit control on front panel.



Tamper proof label following commissioning, includes system status indication.

MRXBOXAB-ECO4

Wiring



Optional Sensors and Detectors

Customise MRXBOXAB-ECO4 for enhanced performance. All supplied with pre-plugged 10m data cable and incorporates status LED.

MRXBOX95-PIR (Passive Infrared)

A low voltage sensor, detects movement and activates system. Incorporates overrun timer and timer adjustments.

MRXBOX95-HUM (Relative Humidity)

A low voltage sensor, activates the system when the RH level is above set point. Incorporates overrun timer and RH setpoint level adjustment.

MRXBOX95-RFI (Remote Fail Indicator)

If fan failure occurs, the audio visual indicator will flash a warning.



Consultants Specification

SPECIFICATION

The unit shall be fully insulated providing excellent thermal and acoustic characteristics and shall be complete with a multi-plate, counter-flow, high-efficiency heat exchanger block with a efficiency of up to 95%. The heat exchanger shall be protected by G3 grade filters on fresh air inlet and system extract.

The heat exchanger and filters shall be accessible via the front access panel, enabling quick and easy maintenance.

The unit shall have low energy, high-efficiency EC fan/motor assemblies with sealed for life bearings, the impellers shall be backward curved centrifugal type.

The motors shall be suitable for an ambient temperature of 40°C. The unit shall be supplied complete with a condensate drip tray and 32mm drain connection.

The unit shall be suitable for 200mm diameter circular ducting.

Note: The unit is also available in opposite handed format, refer to spigot configuration for set up.

The breakout noise level and power requirements shall be as detailed by the unit manufacturer and in accordance with the ventilation equipment schedule.

The unit shall be MRXBOXAB-ECO4 as manufactured by Nuair and shall be listed on the SAP PCDB.

MRXBOXAB-ECO4-OH is an opposite handed assembly compliant as per standard handed versions listed in SAP PCDB.

OPERATION

The supply and extract ventilation unit shall be positioned as indicated on the drawings and shall be in accordance with the particular fan schedule in the specification.

The combined supply and extract with heat recovery unit shall supply filtered fresh air to each of the habitable rooms and moisture-laden air shall be extracted from the wet areas e.g. bathroom, en-suite, w.c, kitchen, utility rooms, etc. The supply air shall be pre-heated by the warm extract air via the integrated counter-flow heat exchanger element.

The extracted air shall also be filtered before it reaches the heat exchanger block. The ventilation unit shall vary its speed and therefore the ventilation rate, as it receives signals from one of the following:

- Switched live signal from light/remote switches.

When signals are received, the fan shall alter its speed to adjustable, normal and boost rates.

The unit shall have the facility to commission the supply and extract fans independently on minimum speed (continuous background ventilation) and boost speed via inbuilt minimum and maximum speed adjustment. The fans shall have infinitely variable speed control.

INTEGRAL AUTOMATIC HX BYPASS WITH NO REDUCTION IN AIRFLOW

The bypass damper shall open automatically via a wax actuator allowing the air to bypass the heat exchanger to deliver fresh filtered air during the warmer months.

Under normal operation, the automatic bypass diverts 100% airflow around the heat exchanger with no reduction in airflow, as independently tested by the BRE.

INTEGRAL HUMIDITY SENSOR

The integral humidity sensor incorporated within the extract fan chamber will automatically boost both the extract and supply fan, to the commissioned boost speed, when the humidity level exceeds that set by the front panel mounted adjustment potentiometer.

OPTIONAL REMOTE SWITCH (MRXBOX95-3SWITCH)

The unit shall have the facility to wire a three position remote switch to a suitable location within the property. The switch shall have 3 settings: trickle, boost and Summertime boost facility. The remote switch will act as the master switch and will override all other switches.

CONTROL OPTIONS

All versions shall have the following functions integrally mounted within the fan unit on a purpose made PCB, all such components are prewired and factory fitted by the manufacturer:

- Independent control of background supply and extract flow rates.
- Independent control of boost speed supply and extract flow rates.
- Integral fan failure indication.
- Integral S/L terminal for boost to commissioned level, from remote switch, e.g. light switch.
- Integral S/L terminal for third speed (purge), boost speed, from remote switch e.g. plate switch.
- Integral heat exchanger frost protection.
- Discreet daily run monitor.
- Indication and controls - The unit shall have clear LED visual indication for maintenance, servicing and operation mode i.e. HX bypass, frost protection.

The unit shall be offered with a 5 year warranty which starts from the day of delivery, and includes parts and labour for the first year and parts only for the remaining 4 years.